

LEVEL SWITCH

LIC-75

ELECTROSTATIC CAPACITY TYPE



フェロコ工業株式会社
FELLOW KOGYO CO.,LTD.

LIC-75

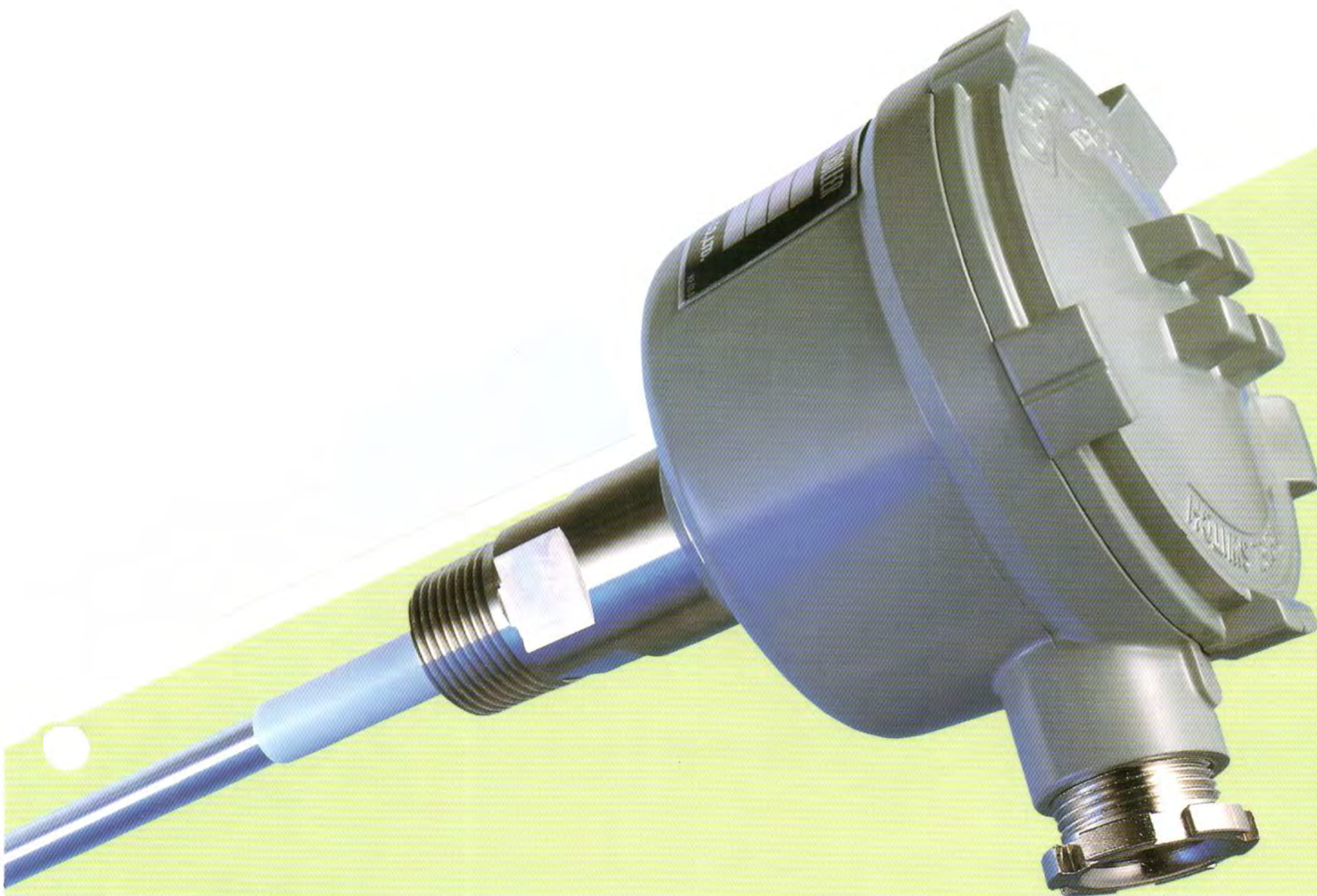
Wastes in volume arising from a sphere of life of the human being in a wide range including the industrial production are heading for the increase day by day, and making a number of problems to be solved as the modern society with the pressing needs of the environmental protection and reasonable recycling of resources. Fellow Kogyo Co.,Ltd. has carried out the development of level switches (model LIC-75 series) that can guarantee a high stability being adapted to a number of bad conditions without consistency that the sewage has, in agreement with the progress of sewage disposal techniques of particularly high importance, and has gained widely public favor, not only by domestic users, but also by overseas ones.

**HIGH-SENSITIVITY MEASUREMENT WITH BUILT-IN
"ELECTROSTATIC ELIMINATION CIRCUIT" !**



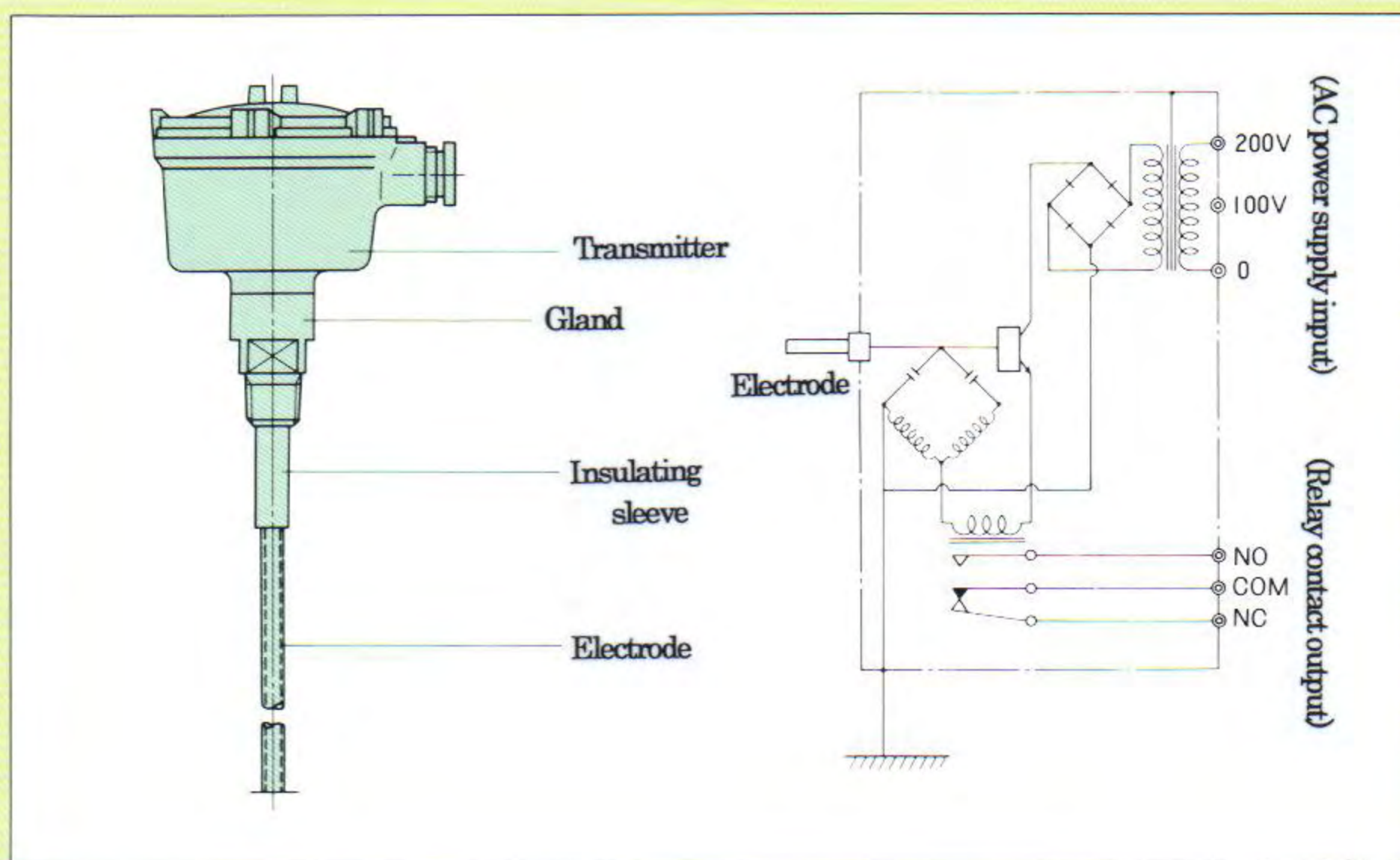
■ CHARACTERISTICS

- The electrode section transmission section has been incorporated, and the handling is simple.
- Since there is no mechanical moving section, it is of long life, and the maintenance and inspection can be carried out with ease.
- Influences of attachments to the electrode section can be suppressed to a minimum limit.
- It has very excellent characteristics as the surface detector of oils and water (from high-purity oils till bilges and sludge of ships). (patent pending)
- It keeps up the stabilized operation also for the solution containing the salinity of more than 25% or slurry.
- It can fully correspond to the strength of hydrogen ion concentration or wide-range variations. (Be careful of the wetted part material.)
- The corrosion resistance (acids, alkalis, etc.) has been considered enough.
- To prevent bad influences of the surrounding environment, it is of dustproof and waterproof sealed construction.
- With a sensitivity adjustment dial, the optimum sensitivity adjustment can be carried out.
- The wiring is enough only with the power supply and signal lines (NO, COM and NC)
- For the purpose of circuit protection against the trespass of the static electricity, the electrostatic elimination circuit developed by our company has been incorporated. (Patent pending)
- The device incorporating the electronic timer is also available. (Patent pending)



■ GENERAL SPECIFICATIONS

Input voltage	AC 100/200V, 50/60Hz
Power consumption	10VA
Output	Relay contacts ON and OFF 1c contacts(NO, COM and NC) Max.250V AC, 2A
Sensitivity	0.5PF max. (80 PF at the time of fixation)
General drift	1.5PF
Ambient temperature	-10 to 55
Painting color	7.5BG6/1.5
Weight	1.7kg
Option	Electronic timer type(Built-in) 0 to 4 min./0 to 5 sec



■ INTERNAL CONSTRUCTION

Standard type



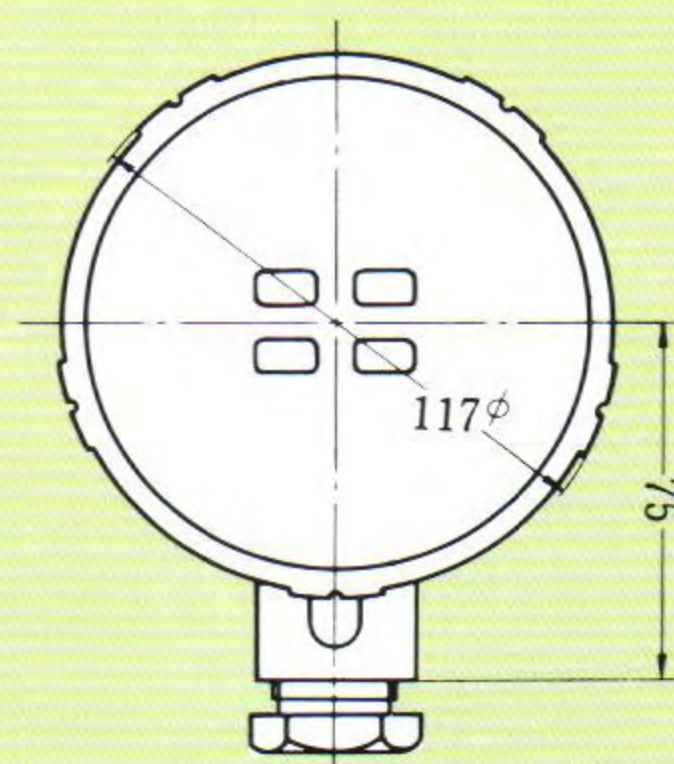
For powder
(High-sensitivity type)



Timer type



■ TOP VIEW OF TRANSMITTER



LIC-75

series

LIC-75P(For powder)

It suppress influences of adhesion and humidity to a minimum limit, and is used in a wide range against the powder, dust, etc.

LIC-75N(Powder)

It is adequate to resins, paints, etc. of low dielectric constant and others.

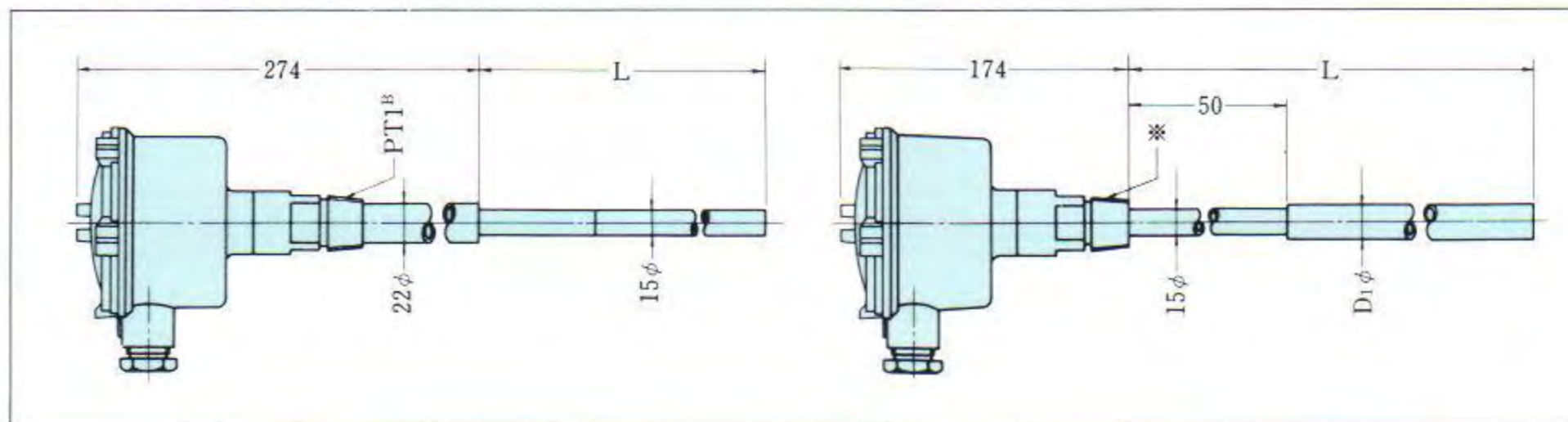
LIC-75L(For liquid)

Water, chemicals, sulfuric acid, hydrochloric acid, etc.

* PT 3/4B or PT1B

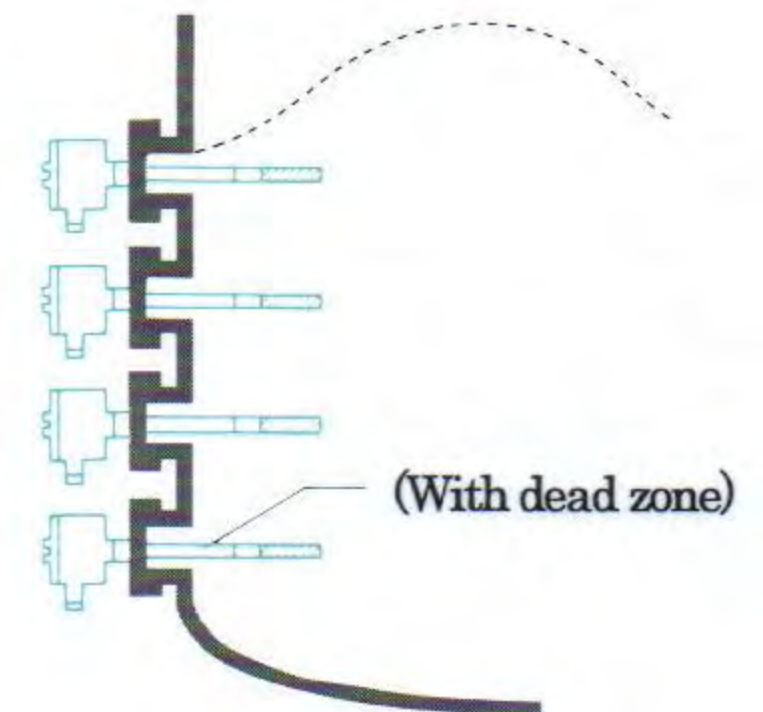
75P 75N

FOR POWDER



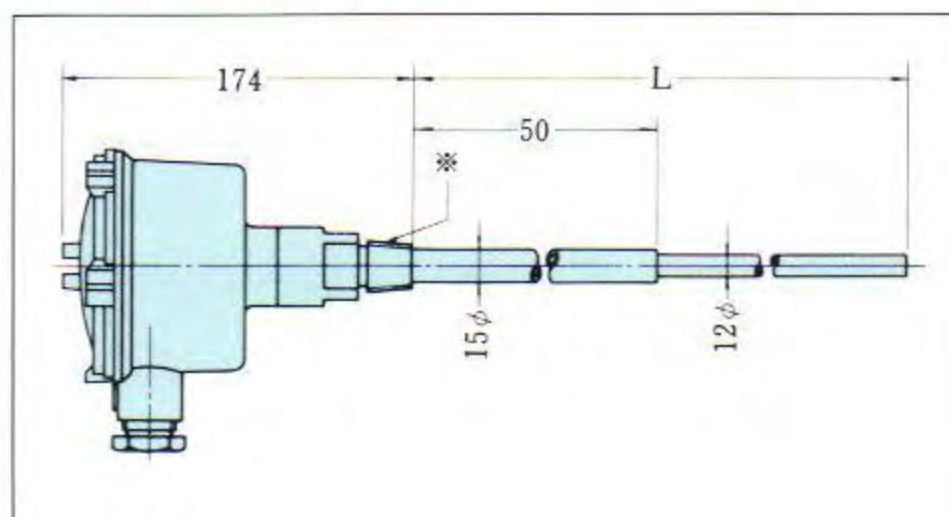
TYPE P

Cement, ores pellets, etc.

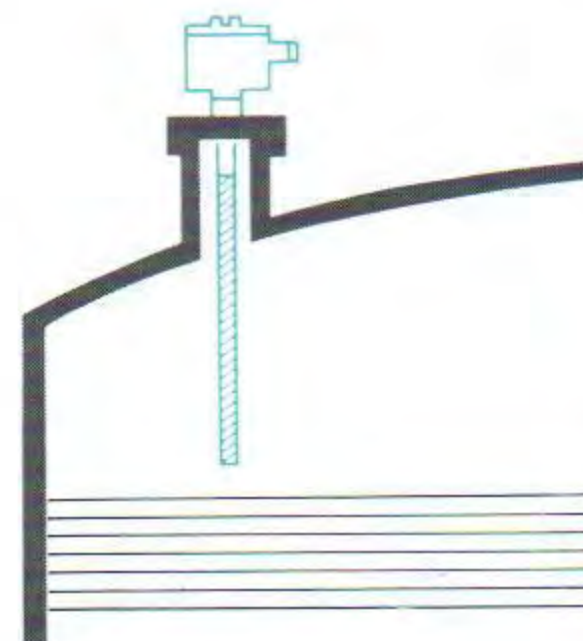


75L

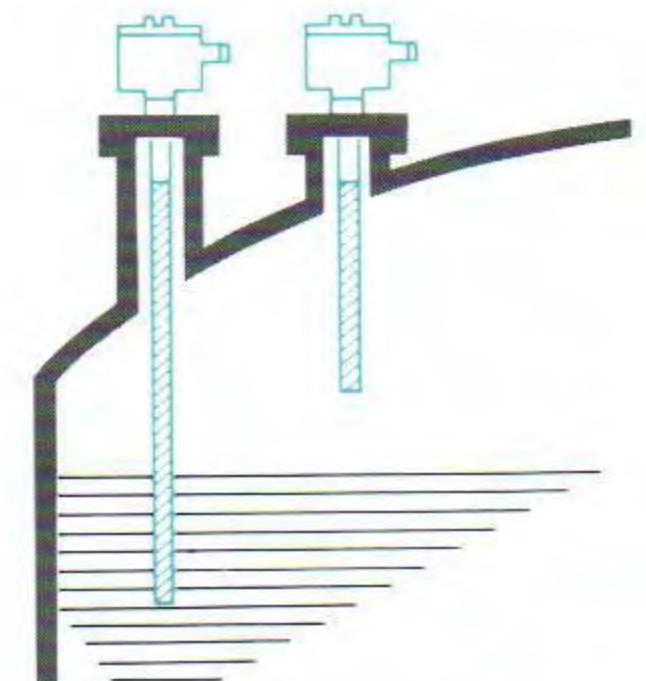
FOR LIQUID



Level detection of liquid.

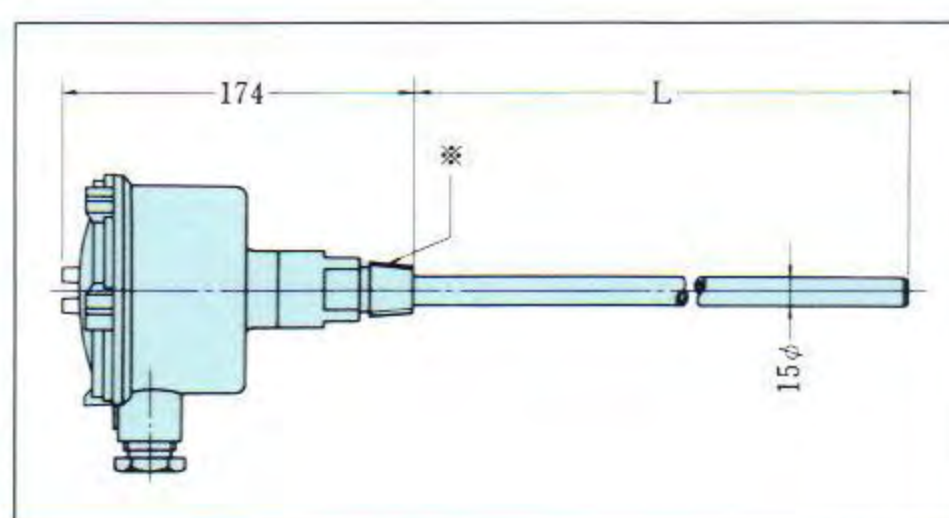


Upper-and lower-limit detection control of liquid.

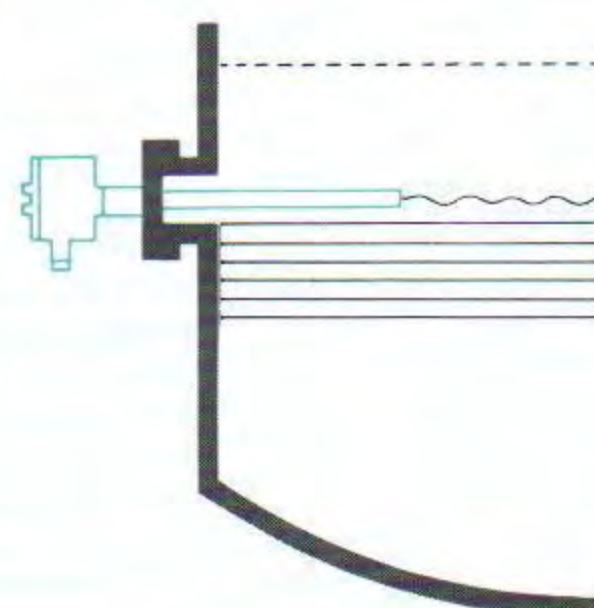


75C

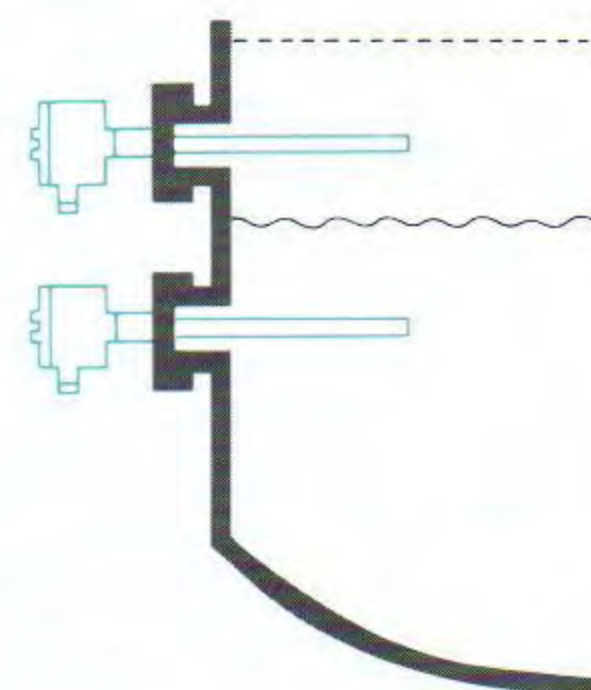
FOR high stability of surface control, etc.



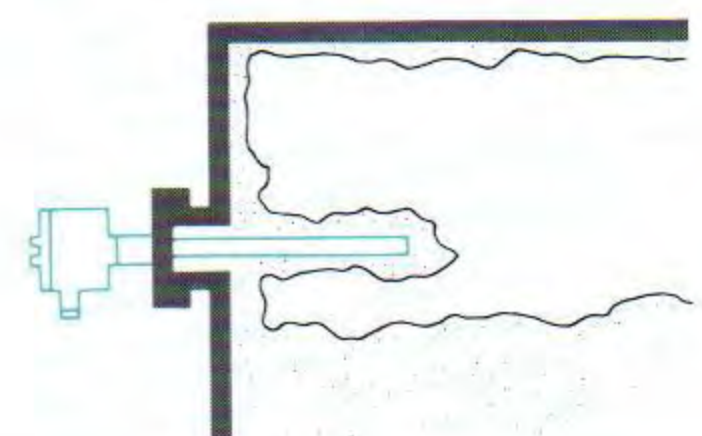
Surface detection



Surface control



Detection control of conductive attachments



LIC-75C(For high stability of surface control, etc.)
(Patent pending)
Oil and water surface detection control, slurry, etc.

LIC-75G(Long electrode)
It is also strong to the adhesion for a long period of time, operates with stability, is also strong to the sewage, warm water and chilled water, and is destined to distribution reservoirs, underground tanks, etc.

LIC-75KP(For ores and powder)
It is a touch electrode having the mechanical strength enough. It is strong to the adhesion, and long electrodes can be manufactured.

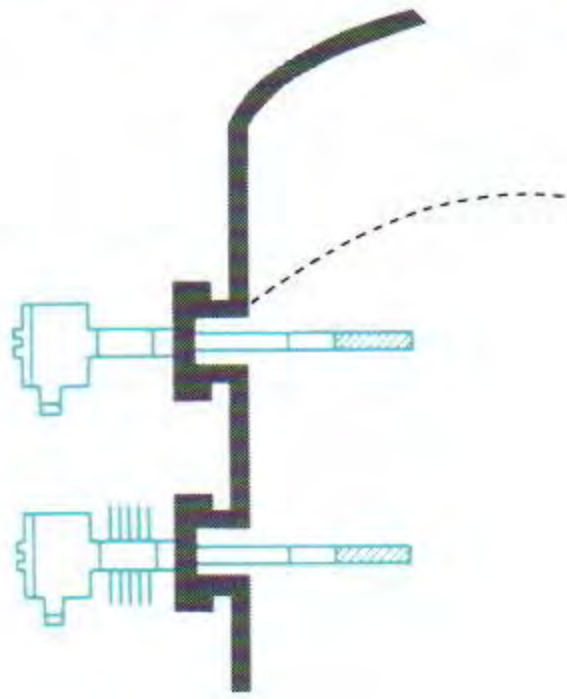
LIC-75S(For conductive attachment)Patent

LIC-75K
It is used to multiple applications of sewage, slurry, etc.

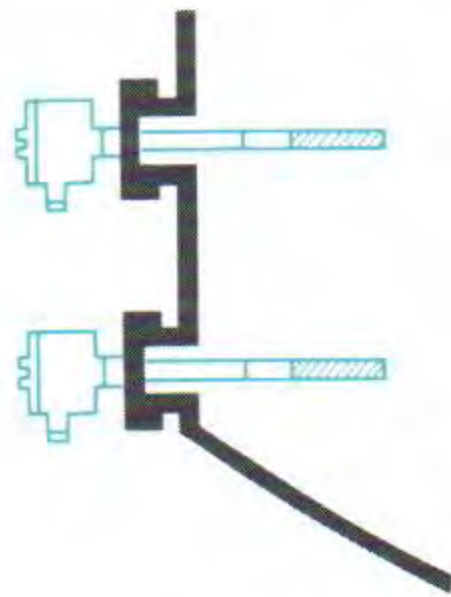
LIC-75P-150(For high pressure tightness)
It is of excellent construction in pressure tightness. Many models with fines, etc. are available also for high temperature.

LIC-75R(Protective pipe sensitization type)
It is largely used in liquids and oils of low dielectric constant for stabilized high sensitivity and high precision.

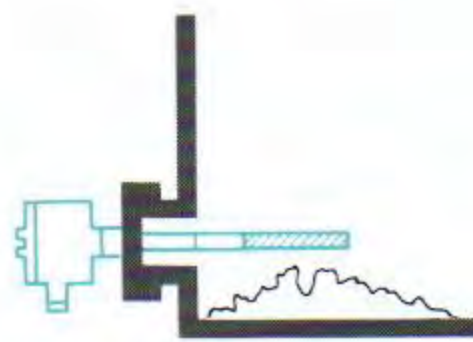
What the temperature rises or is of high temperature like lime, etc.



Upper and lower limit control of feed, fertilizer, etc.

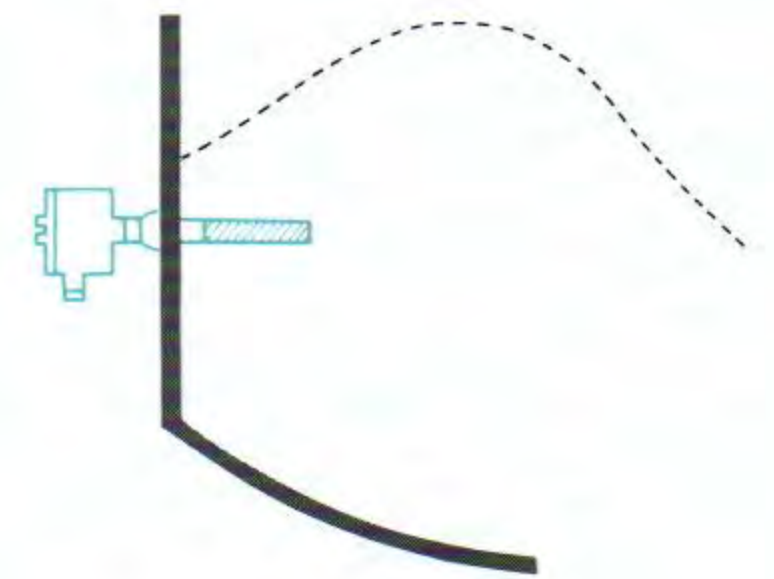


Dust, etc.

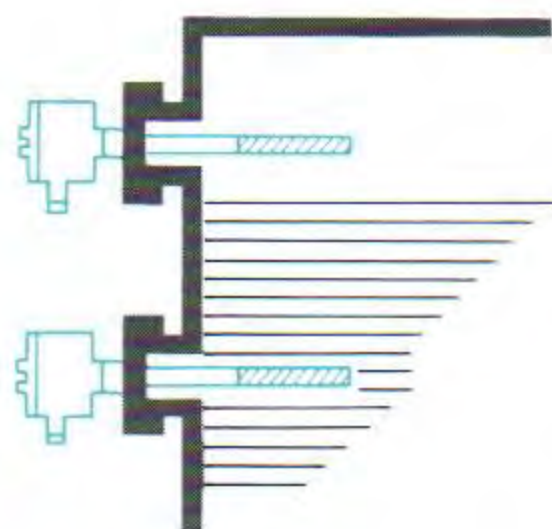


Type N

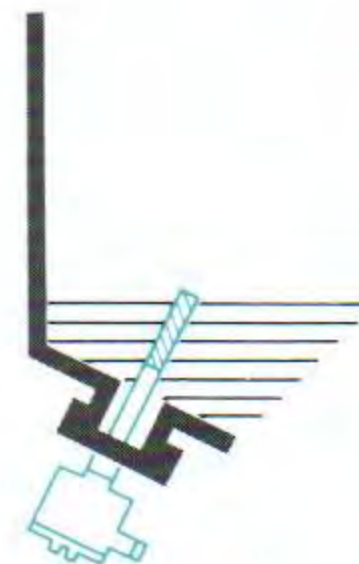
High - sensitivity resins, pellets, powder, sugar, etc



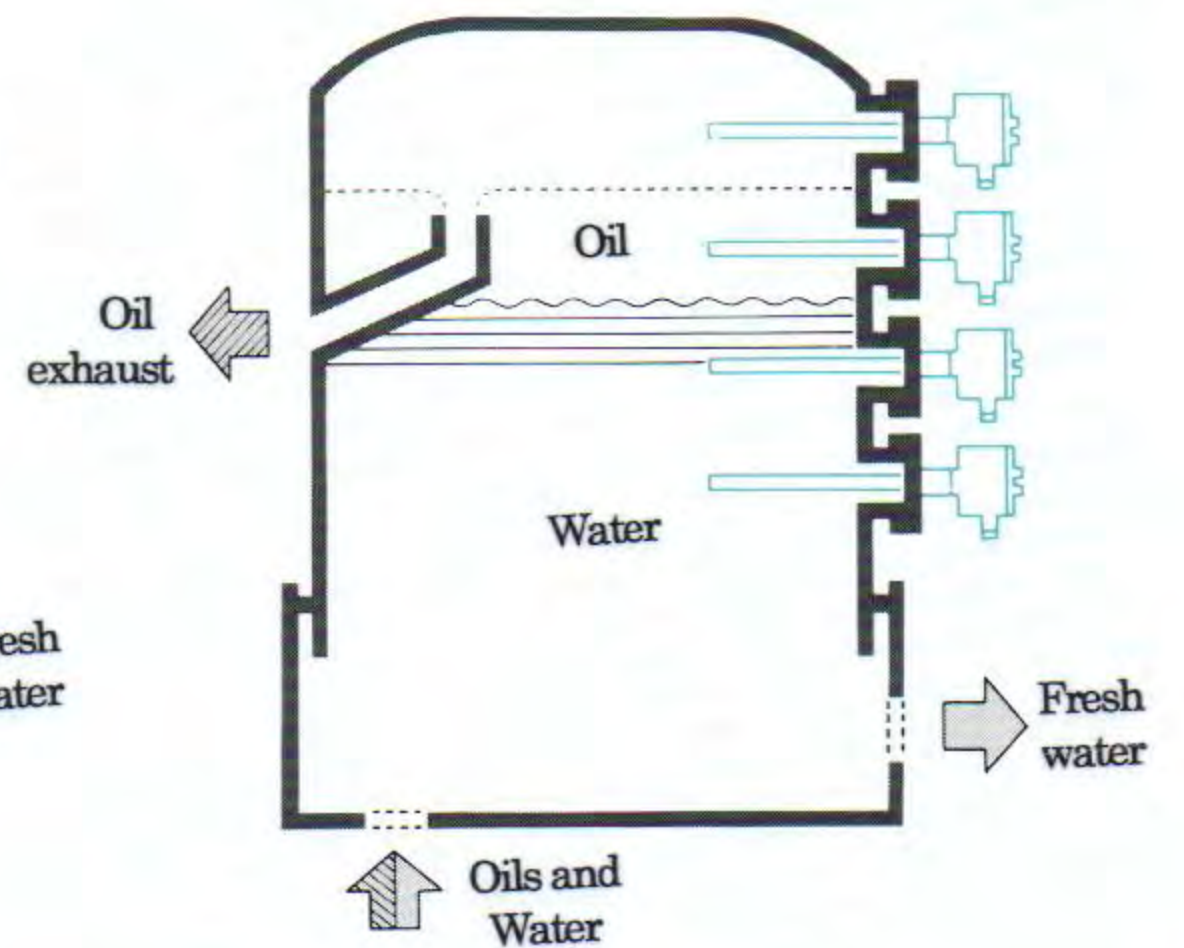
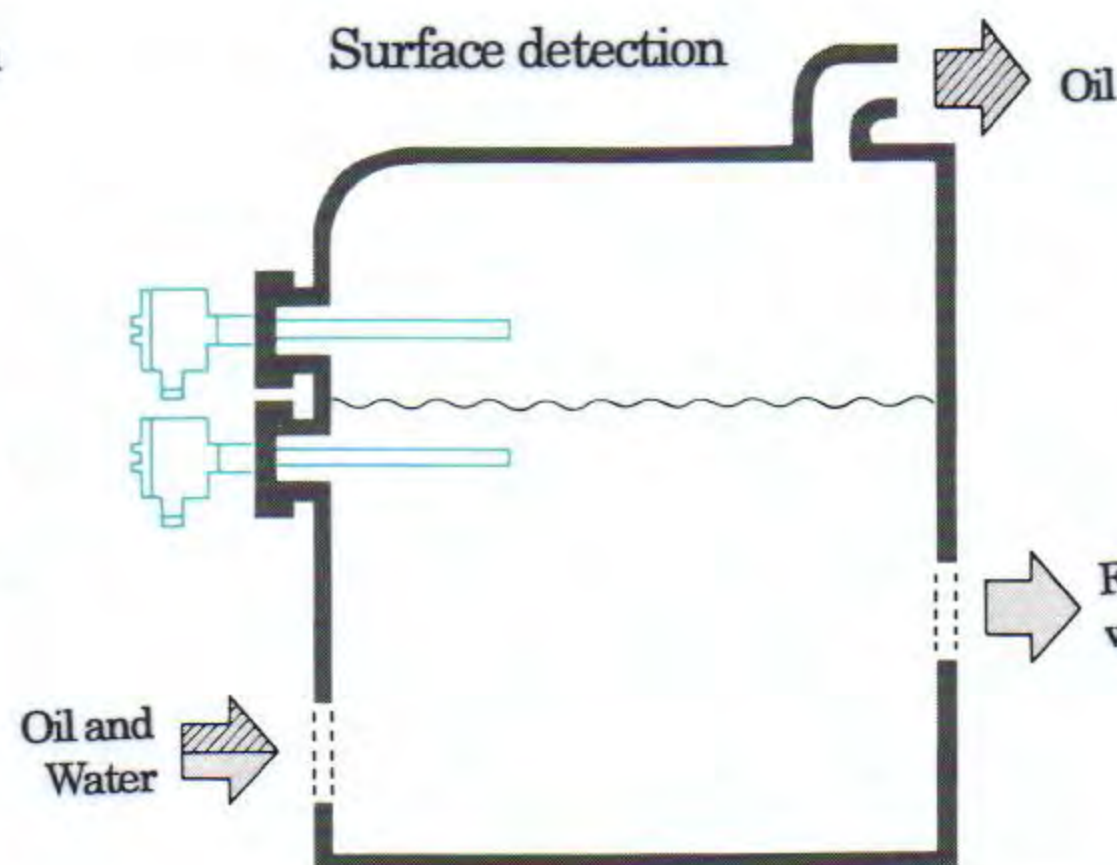
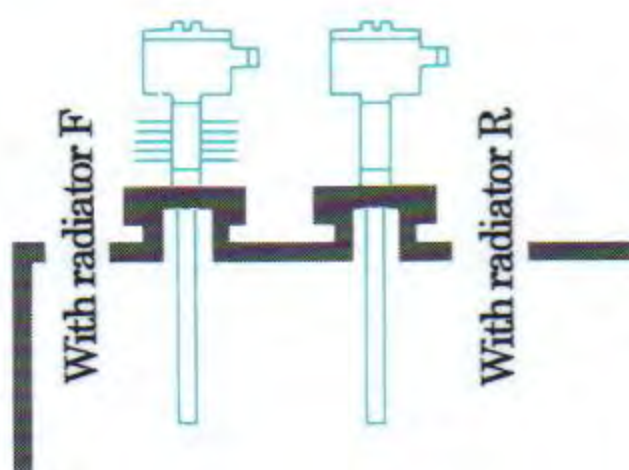
Upper and lower limit alarm control of liquid



Low-face alarm of liquid



In case the measured liquid temperature is high



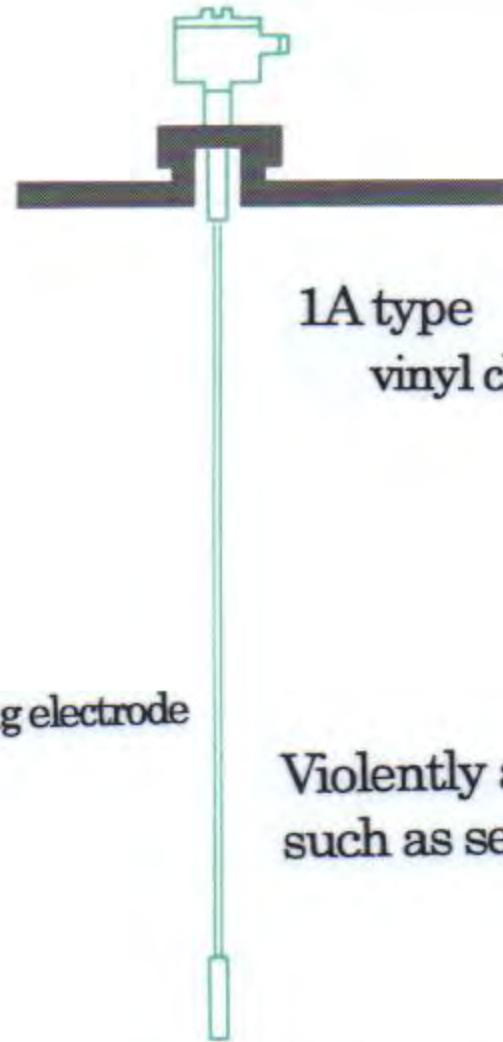
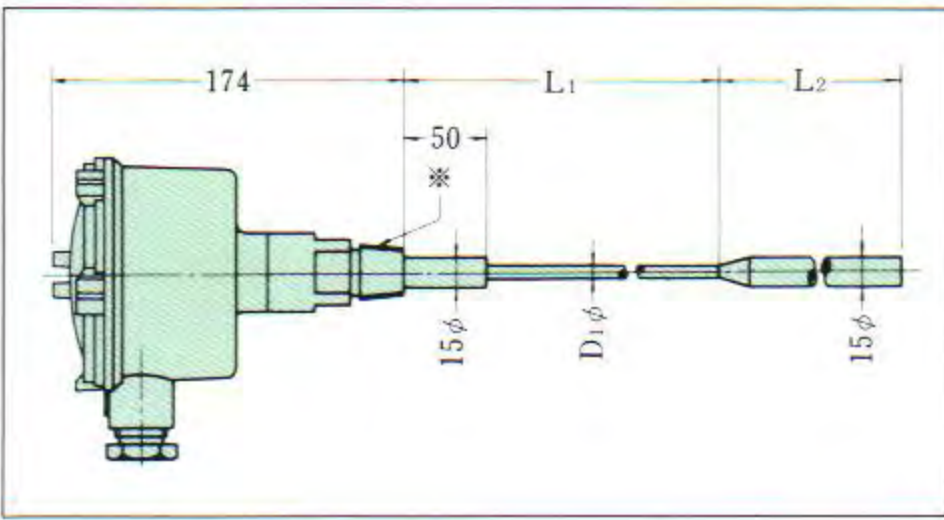
LIC-75

series

* =PTE/4B or PT1B

75G

Long electrode

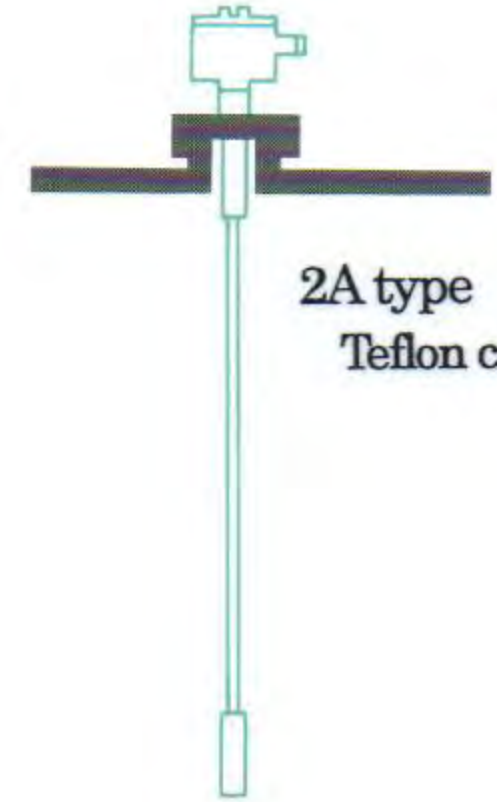


1A type
vinyl chloride cable

Long electrode

Violently adhered ones
such as sewage and brine

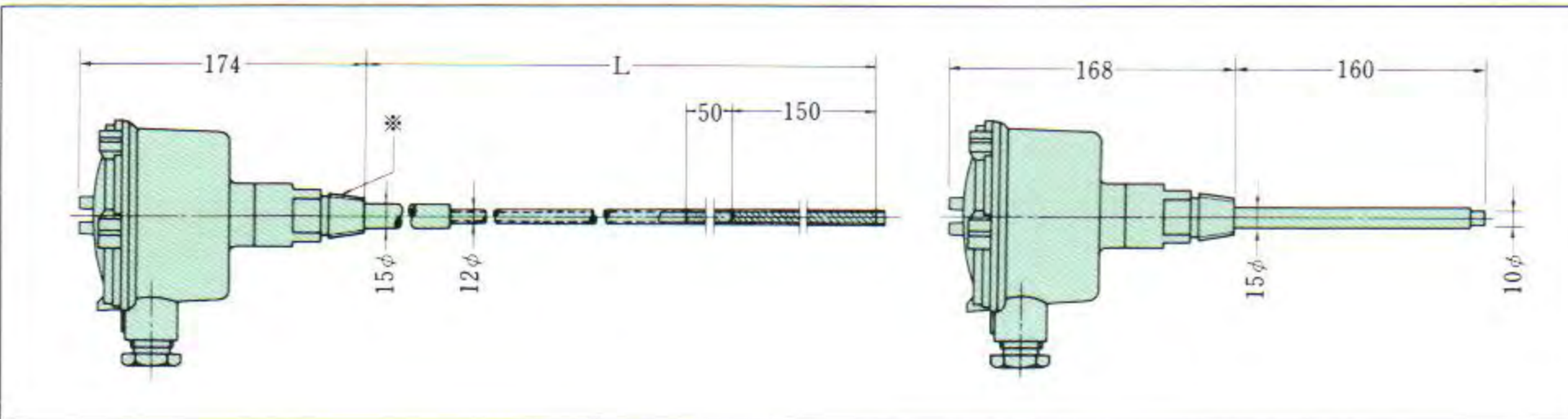
Chemicals, acids,
alkalis, etc.



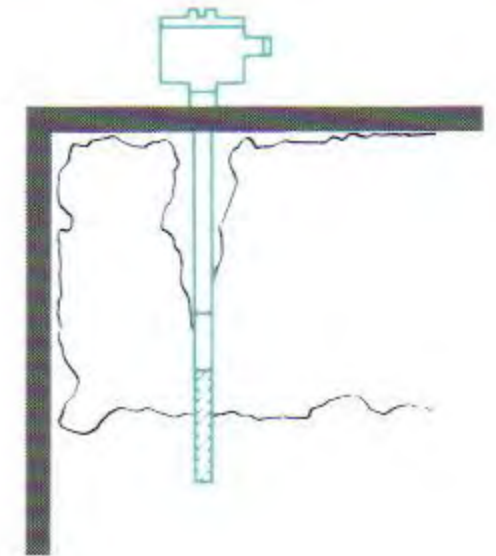
2A type
Teflon cable

75S / 75K

For conductive attachments

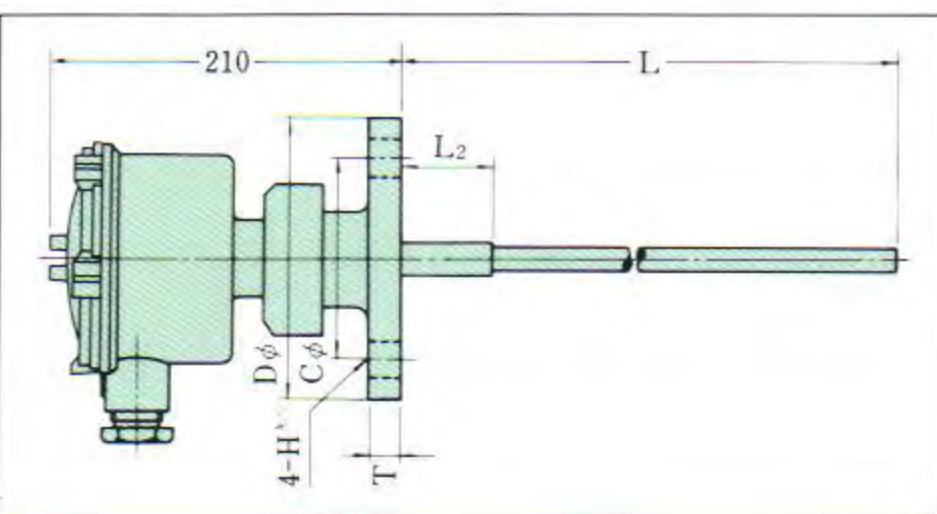


Slurry, sewage, brine, etc.

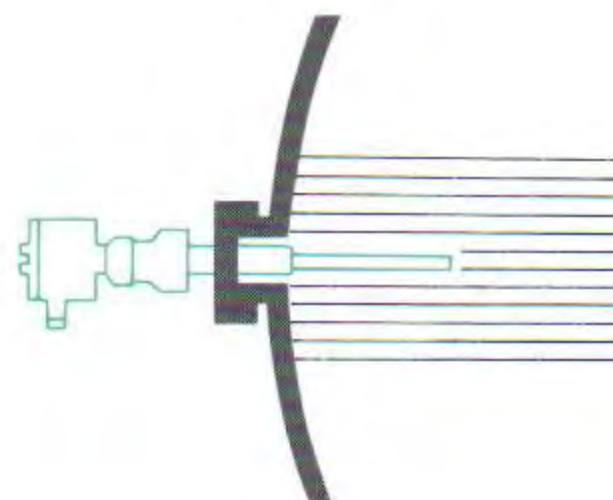


75P-150

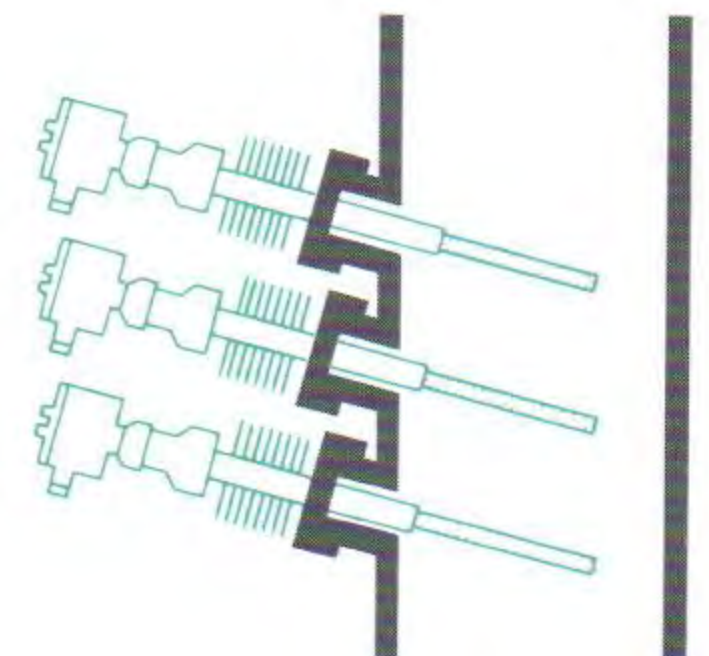
For high pressure tightness



High pressure type

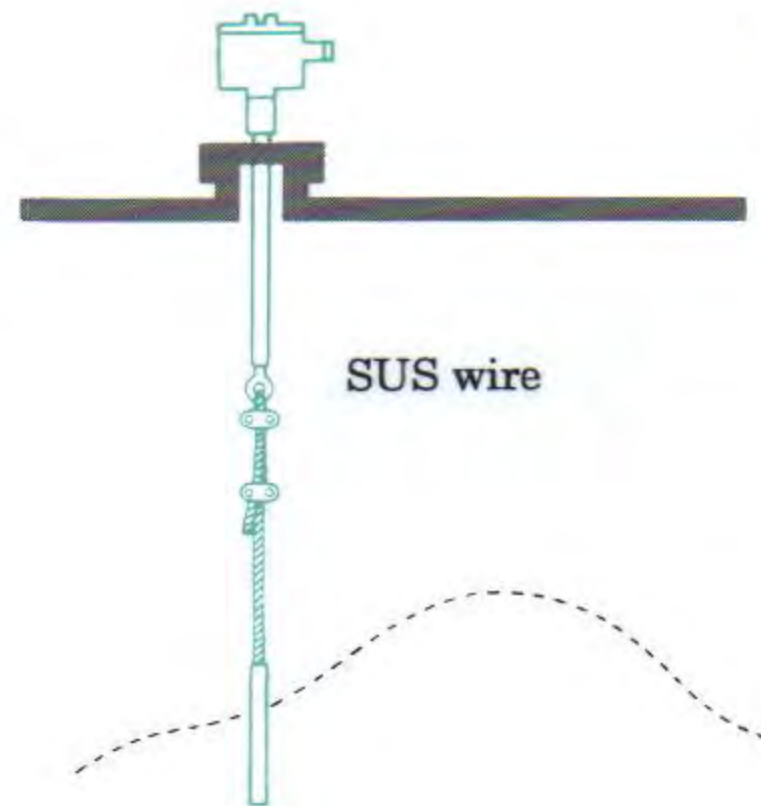
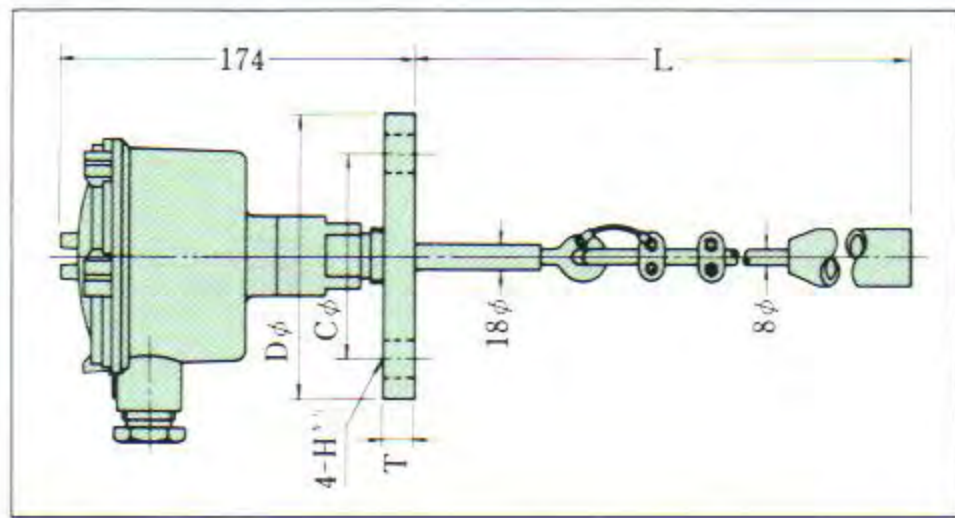


Accumulator, etc. under
high temperature and
high pressure



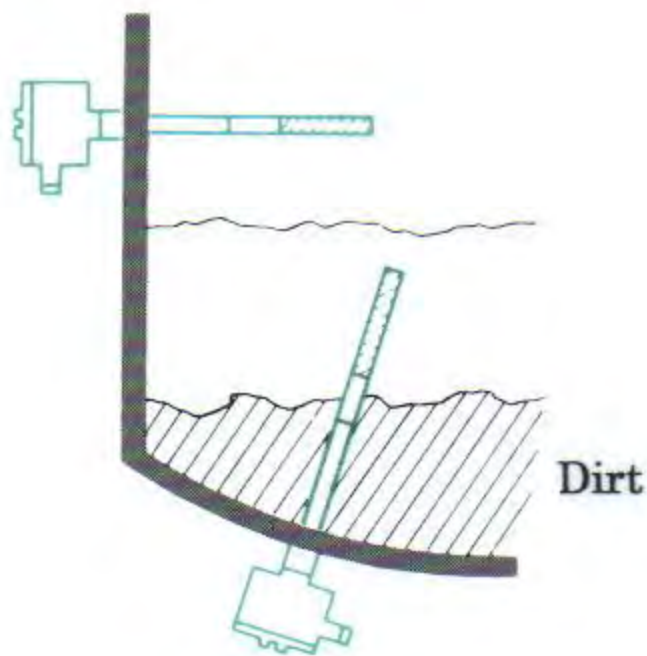
75KP

For cores and powder

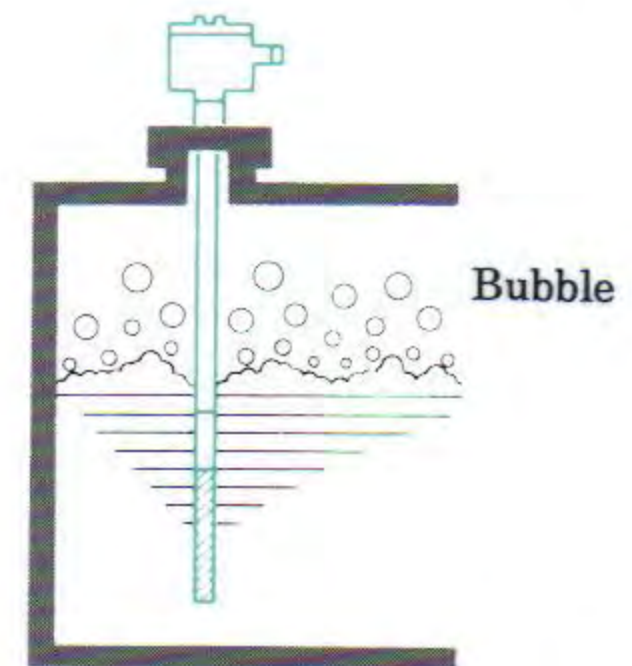


Ores, powder, carbon black
wheat flour and sugar

That of violent adhesion

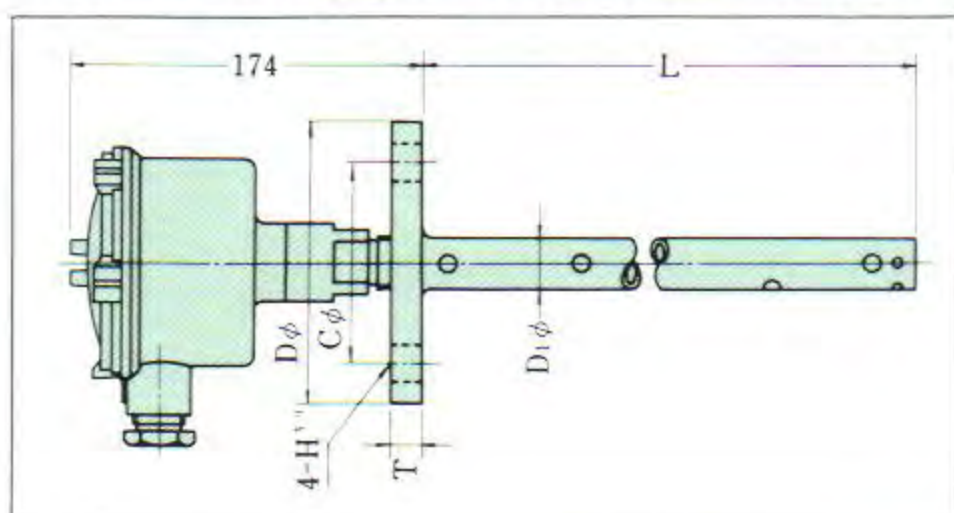


That of many bubbles, dust, etc.

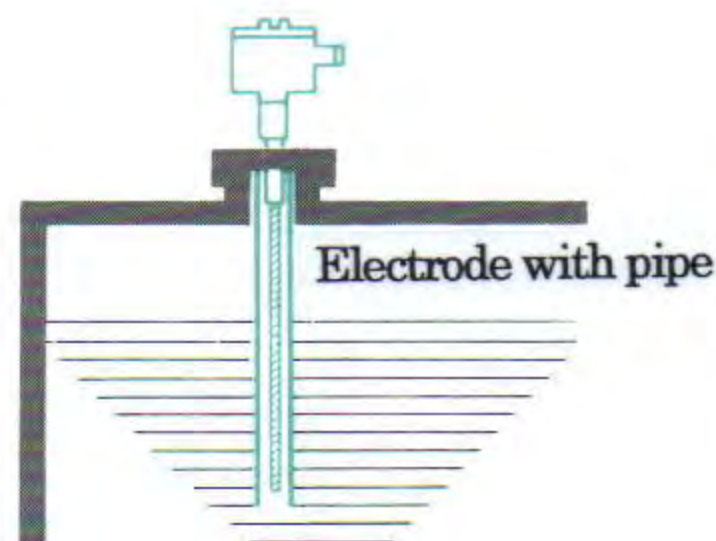


75R

Protective pipe sensitization type



Place where the high sensitivity
and high stability are required



That of low dielectric factor

