

GMX200 Compact Weather Station

High quality, easy-to-use, integrated weather station

MaxiMet compact weather stations are designed to be simple to install, use and maintain. In addition to providing measured parameters, the products derive additional parameters and data is output as a single string and available on a range of communications protocols.

MaxiMet weather stations benefit from the same technology used in Gill's scientific product range, ensuring measurement accuracy, low maintenance and continuous status reporting.

The MaxiMet family includes a range of sensor configurations allowing customers to select the model most appropriate to their needs.

Typical applications

- Control systems including smart buildings, agriculture and industry
- Solar farms
- Road and rail
- Ports and harbours
- Reporting systems for transport and safety
- Low power/solar powered deployments and IoT applications

MaxiMet GMX200 key features

- Two measured parameters:
Wind speed & direction, optional GPS function.
- Multiple additional derived parameters based on combining measured parameters, such as gust, average wind speed and corrected direction.
- High quality, accurate, solid state sensors.
- 2-axis compass.
- Optional integrated GPS capability available to provide location, GPS timestamp and a calculation of true wind if the platform is moving.

Benefits

- High quality measurement data due to careful sensor selection and extensive design testing and verification.
- Easy to set-up and integrate using comprehensive software to select the reported and derived parameters and measurement units required.
- Easy to install and long operational life, due to a compact, robust design and the selection of low maintenance sensors.
- Suitable for use with battery or solar systems in low power mode.



MaxiMet GMX200 measures 2 parameters.



MaxiMet compact weather stations are integrated into systems monitoring gas and particulate concentrations in the air.

GMX200 Compact Weather Station

High quality, easy-to-use, integrated weather station

WIND SPEED	
Range	0-60 m/s
Accuracy	0-10 m/s 0.3 m/s RMSE 10-40 m/s 3% RMSE 40-60 m/s 5% RMSE
Resolution	0.01 m/s
Starting threshold	0.01 m/s
Units of measurement	m/s, km/h, mph, kts, ft/min

WIND DIRECTION	
Range	0-360°
Accuracy	0.5 m/s-40 m/s ±3° 40-60 m/s ±5°
Resolution	1°
Units of measurement	degrees

WARRANTY	
Warranty	24 months

OUTPUTS	
Digital comms modes	RS232, RS422 RS485, SDI-12
Protocols	ASCII, SDI-12 v1.3, NMEA 0183 MODBUS (RTU and ASCII)
Data outputs rates	1/s, 1/min, 1/hour, or polled

POWER SUPPLY	
Input voltage	5-30 VDC
Average current consumption @ 12 VDC	26 mA continuous mode (std unit) +9 mA with GPS option 1.3 mA eco-power mode (no GPS, 1/hr)

MECHANICAL	
Construction	UV stabilized thermoplastic
Fittings	Fit to 44.45 mm (1.75 in) pole or mast
Weight	0.5 kg
Connector type	9-way clipper connector

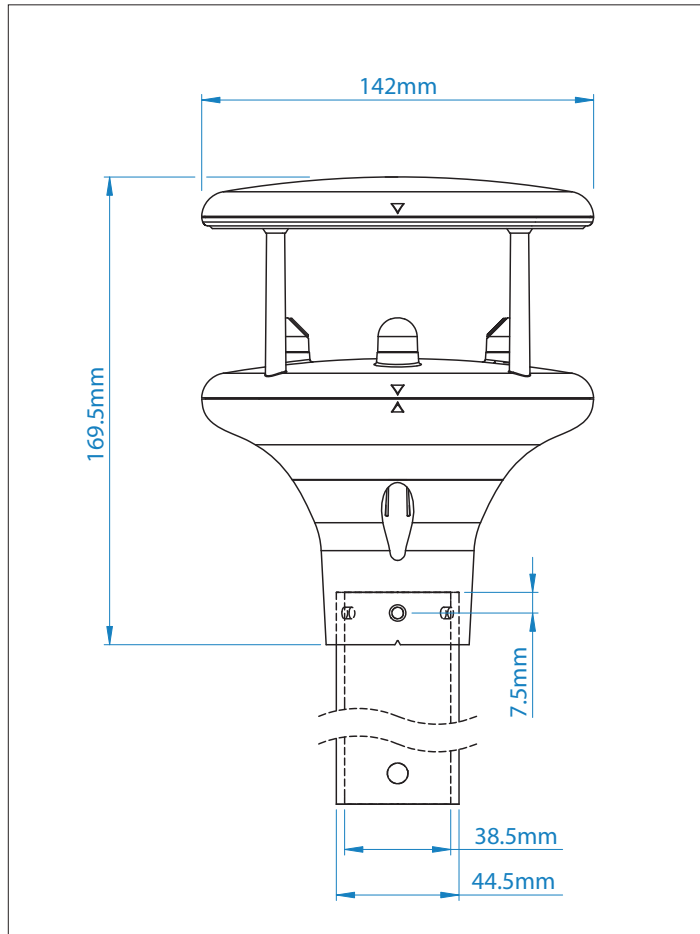
ENVIRONMENTAL	
Protection class	IP66
Operating temp.	-35°C to +70°C
Storage temp.	-40°C to +70°C

STANDARD EQUIPMENT (supplied with product)	
MaxiMet product	
Mating connector	
MetSet software*, to set-up and configure MaxiMet (comms mode, measurement units, reporting intervals, derived parameters, etc.)	
MetView software*, to view reported parameters	
MaxiMet User Manual*	
* downloadable from Gill Instruments website	

OPTIONS	
GPS	Available as an option. Enables reporting of location, height, real time clock, true wind (for vehicle mounting applications)

GMX200 Compact Weather Station

High quality, easy-to-use, integrated weather station



EXAMPLE DERIVED PARAMETERS FOR MAXIMET RANGE (model dependent)

A full list of derived parameters is available in the User Manual, downloadable from gillinstruments.com

Average wind speed *	Sunrise
Average wind direction *	Solar noon
Corrected wind speed	Twilight
Corrected wind direction	Sunset
Gust wind speed & direction *	Position of sun
Dew point	Angle of tilt
Wind chill	Pressure at sea level
Absolute humidity	Heat index

* WMO compliant

ACCESSORIES

A list of the accessories available to support MaxiMet is provided on the MaxiMet Accessories Datasheet, which can be downloaded from

gillinstruments.com

MaxiMet® Compact Weather Stations

Robust, high-quality compact, integrated weather stations

Accessories Datasheet

MaxiMet weather stations are supported by a range of accessories. These accessories can be used to connect, install and maintain MaxiMet. The accessories have been designed to support the long-term performance of MaxiMet products.

Accessories	Description	Part Number
Power cable	Power cable for MaxiMet weather stations	1957-004
Weather station	MaxiMet weather station	GMX200
Weather station	MaxiMet weather station	GMX240
Weather station	MaxiMet weather station	GMX260
Weather station	MaxiMet weather station	GMX300
Weather station	MaxiMet weather station	GMX301
Weather station	MaxiMet weather station	GMX400
Weather station	MaxiMet weather station	GMX500
Weather station	MaxiMet weather station	GMX501
Weather station	MaxiMet weather station	GMX550
Weather station	MaxiMet weather station	GMX551
Weather station	MaxiMet weather station	GMX560
Weather station	MaxiMet weather station	GMX600

Accessory Descriptions

• Connector (1957-004)

A USB connector is available. Equipped. The connector is compatible with all MaxiMet models and is supplied with pins.

• Cable for operational use

The 4-pin cable can be used to connect MaxiMet to power and communication. The cable can be applied to a 4-pin cable with pins. Pinout: 1 (GND), 2 (VCC), 3 (TX), 4 (RX).

• Cable for setup configuration (1957-10045)

This cable is used to connect MaxiMet to a PC port on a computer. Using MaxiMet, the setup of the MaxiMet unit can be configured to meet specific requirements. The cable is 1.5m long and is supplied with a USB connector on one end and a DB9 connector on the other end.

gillinstruments.com

© Gill Instruments Limited



OTHER MAXIMET MODELS

	Wind	Temperature, humidity, pressure	Rain	Solar	Compass, GPS	Low power heating
GMX240	Y		Integrated optical rain sensor		Y, as option	
GMX260	Y				Y 6-axis, option	
GMX300		Y				
GMX301		Y		Y		
GMX400		Y	Integrated optical rain sensor			
GMX500	Y	Y			Y, as option	Option
GMX501	Y	Y		Y	Y, as option	Option
GMX550	Y	Y	Tipping bucket connector		Y, as option	Option
GMX551	Y	Y	Tipping bucket connector	Y	Y, as option	Option
GMX560	Y	Y			Y 6-axis, option	Option
GMX600	Y	Y	Integrated optical rain sensor		Y, as option	Option

For more information about MaxiMet®, please contact Gill Instruments.

Designed and manufactured in the UK by Gill Instruments Limited.

GMX500 Compact Weather Station

High quality, easy-to-use, integrated weather station

MaxiMet compact weather stations are designed to be simple to install, use and maintain. In addition to providing measured parameters, the products derive additional parameters and data is output as a single string and available on a range of communications protocols.

MaxiMet weather stations benefit from the same technology used in Gill's scientific product range, ensuring measurement accuracy, low maintenance and continuous status reporting.

The MaxiMet family includes a range of sensor configurations allowing customers to select the model most appropriate to their needs.

Typical applications

- Control systems including smart buildings, agriculture and industry.
- Solar farms.
- Road and rail.
- Ports and harbours.
- Reporting systems for transport and safety.
- Low power/solar powered deployments and IoT applications.

MaxiMet GMX500 key features

- Five measured parameters:
Wind speed & direction, temperature, humidity, pressure, optional heating, optional GPS function.
- Multiple additional derived parameters based on combining measured parameters, such as gust, average wind speed and dew point.
- High quality, accurate, solid state sensors.
- 2-axis compass.
- Optional integrated GPS capability available to provide location, GPS timestamp and a calculation of true wind if the platform is moving.
- Optional low power heating

Benefits

- High quality measurement data due to careful sensor selection and extensive design testing and verification.
- Easy to set-up and integrate using comprehensive software to select the reported and derived parameters and measurement units required.
- Easy to install and long operational life, due to a compact, robust design and the selection of low maintenance sensors.
- Suitable for use with battery or solar systems in low power mode.



MaxiMet GMX500 measures 5 parameters.



MaxiMet compact weather stations are integrated into systems monitoring gas and particulate concentrations in the air.

GMX500 Compact Weather Station

High quality, easy-to-use, integrated weather station

WIND SPEED	
Range	0-60 m/s
Accuracy	0-10 m/s 0.3 m/s RMSE 10-40 m/s 3% RMSE 40-60 m/s 5% RMSE
Resolution	0.01 m/s
Starting threshold	0.01 m/s
Units of measurement	m/s, km/h, mph, kts, ft/min

WIND DIRECTION	
Range	0-360°
Accuracy	0.5 m/s-40 m/s ±3° 40-60 m/s ±5°
Resolution	1°
Units of measurement	degrees

AIR TEMPERATURE	
Range	-40°C to +70°C with heating
Accuracy	±0.3°C
Resolution	0.1°C
Units of measurement	°C, °F, K

RELATIVE HUMIDITY	
Range	0-100% RH
Accuracy	typically ±2% RH across full range
Resolution	0.1% RH
Units of measurement	% RH, g/m ³

BAROMETRIC PRESSURE	
Range	300-1250 hPa
Accuracy	Absolute (typically) ±0.4 hPa 900-1100 hPa, 25-40°C Relative (typically) ±0.08 hPa
Resolution	0.1 hPa
Units of measurement	hPa, mbar, mmHg, inHg

WARRANTY	
Warranty	24 months

OUTPUTS	
Digital comms modes	RS232, RS422 RS485, SDI-12,
Protocols	ASCII, SDI-12 v1.3, NMEA 0183 MODBUS (RTU and ASCII)
Data outputs rates	1/s, 1/min, 1/hour, or polled

POWER SUPPLY	
Input voltage	5-30 VDC (10-30 VDC for heated models)
Average current consumption @ 12 VDC	26 mA continuous mode (std unit) 400 mA total with heating +9 mA with GPS option 1.3 mA eco-power mode (no GPS, 1/hr)

MECHANICAL	
Construction	UV stabilized thermoplastic
Fittings	Fit to 44.45 mm (1.75 in) pole or mast
Weight	0.7 kg
Connector type	9-way clipper connector

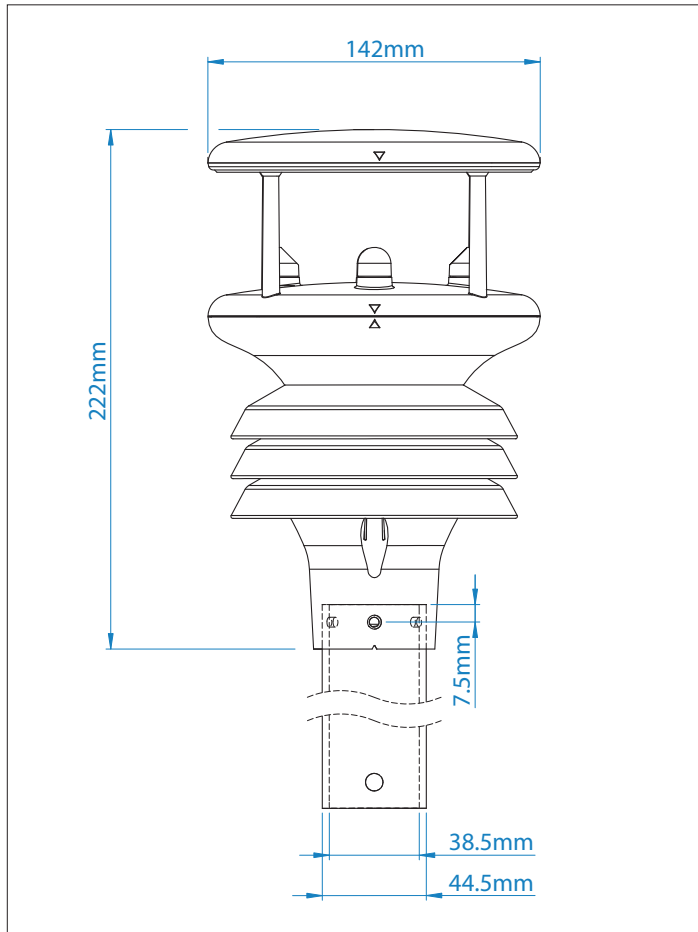
ENVIRONMENTAL	
Protection class	IP66
Operating temp.	-35°C to +70°C -40°C to +70°C with heating option
Storage temp	-40°C to +70°C

STANDARD EQUIPMENT (supplied with product)	
MaxiMet product	
Mating connector	
MetSet software*, to set-up and configure MaxiMet (comms mode, measurement units, reporting intervals, derived parameters, etc.)	
MetView software*, to view reported parameters	
MaxiMet User Manual*	
* downloadable from Gill Instruments website	

OPTIONS	
GPS	Available as an option. Enables reporting of location, height, real time clock, true wind (for vehicle mounting applications)
Heating	Available as an option for operation in extremely low temperatures

GMX500 Compact Weather Station

High quality, easy-to-use, integrated weather station



EXAMPLE DERIVED PARAMETERS FOR MAXIMET RANGE (model dependent)

A full list of derived parameters is available in the User Manual, downloadable from gillinstruments.com

Average wind speed *	Sunrise
Average wind direction *	Solar noon
Corrected wind speed	Twilight
Corrected wind direction	Sunset
Gust wind speed & direction *	Position of sun
Dew point	Angle of tilt
Wind chill	Pressure at sea level
Absolute humidity	Heat index

* WMO compliant

ACCESSORIES

A list of the accessories available to support MaxiMet is provided on the MaxiMet Accessories Datasheet, which can be downloaded from gillinstruments.com

MaxiMet® Compact Weather Stations
 Rugged, high quality compact, integrated weather stations

Accessories Datasheet

MaxiMet weather stations are supported by a range of accessories. These accessories can be used to connect, install and maintain MaxiMet. The accessories have been designed or selected to ensure the long term performance of MaxiMet products.

Accessories	Description
10000000	10000000
10000001	10000001
10000002	10000002
10000003	10000003
10000004	10000004
10000005	10000005
10000006	10000006
10000007	10000007
10000008	10000008
10000009	10000009
10000010	10000010
10000011	10000011
10000012	10000012
10000013	10000013
10000014	10000014
10000015	10000015
10000016	10000016
10000017	10000017
10000018	10000018
10000019	10000019
10000020	10000020

Accessory Descriptions

- Connector (1957/1966/600)**
A replacement connector is available. Equipped. The connector is compatible with all MaxiMet models and is supplied with pins.
- Cable for operational use**
The 4-pin cable can be used to connect MaxiMet to power and communications. The cable can be supplied as a bare cable with pins, Part 14834 (480), or by the metre (30363155).
- Cable for setup/configuration (1957-1966)**
This cable is used to connect MaxiMet to a PC or laptop computer. Using MaxiMet, the setup of the MaxiMet unit can be undertaken to meet specific requirements. The cable is 1.8m long and is supplied with a MaxiMet connector on one end and a USB connector on the other end.

gillinstruments.com

OTHER MAXIMET MODELS

	Wind	Temperature, humidity, pressure	Rain	Solar	Compass, GPS	Low power heating
GMX200	Y				Y, as option	
GMX240	Y		Integrated optical rain sensor		Y, as option	
GMX260	Y				Y 6-axis, option	
GMX300		Y				
GMX301		Y		Y		
GMX400		Y	Integrated optical rain sensor			
GMX501	Y	Y		Y	Y, as option	Option
GMX550	Y	Y	Tipping bucket connector		Y, as option	Option
GMX551	Y	Y	Tipping bucket connector	Y	Y, as option	Option
GMX560	Y	Y			Y 6-axis, option	Option
GMX600	Y	Y	Integrated optical rain sensor		Y, as option	Option

For more information about MaxiMet®, please contact Gill Instruments.
Designed and manufactured in the UK by Gill Instruments Limited.

GMX600 Compact Weather Station

High quality, easy-to-use, integrated weather station

MaxiMet compact weather stations are designed to be simple to install, use and maintain. In addition to providing measured parameters, the products derive additional parameters and data is output as a single string and available on a range of communications protocols.

MaxiMet weather stations benefit from the same technology used in Gill's scientific product range, ensuring measurement accuracy, low maintenance and continuous status reporting.

The MaxiMet family includes a range of sensor configurations allowing customers to select the model most appropriate to their needs.

Typical applications

- Control systems including smart buildings, agriculture and industry
- Solar farms
- Road and rail
- Ports and harbours
- Reporting systems for transport and safety
- Low power/solar powered deployments and IoT applications

MaxiMet GMX600 key features

- Six measured parameters:
Wind speed & direction, temperature, humidity, pressure, rainfall (optical sensor), optional heating, optional GPS function.
- Multiple additional derived parameters based on combining measured parameters, such as gust, average wind speed and dew point.
- High quality, accurate, solid state sensors.
- 2-axis compass.
- Optional integrated GPS capability available to provide location, GPS timestamp and a calculation of true wind if the platform is moving.
- Optional low power heating.

Benefits

- High quality measurement data due to careful sensor selection and extensive design testing and verification.
- Easy to set-up and integrate using comprehensive software to select the reported and derived parameters and measurement units required.
- Easy to install and long operational life, due to a compact, robust design and the selection of low maintenance sensors.
- Suitable for use with battery or solar systems in low power mode.



MaxiMet GMX600 measures 6 parameters including precipitation.



MaxiMet compact weather stations are integrated into systems monitoring gas and particulate concentrations in the air.

GMX600 Compact Weather Station

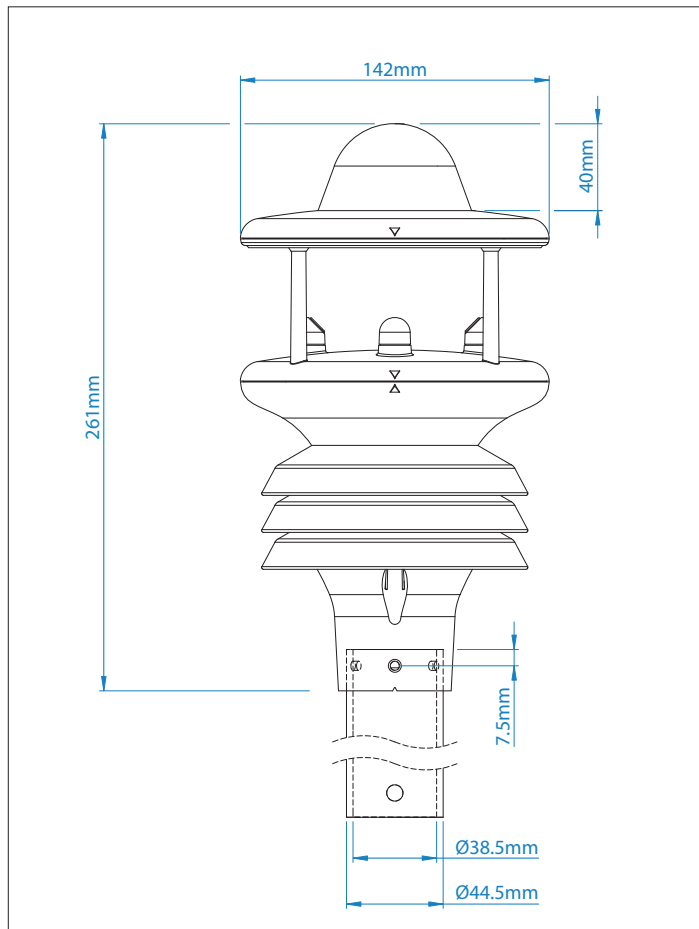
High quality, easy-to-use, integrated weather station

WIND SPEED	
Range	0-60 m/s
Accuracy	0-10 m/s 0.3 m/s RMSE 10-40 m/s 3% RMSE 40-60 m/s 5% RMSE
Resolution	0.01 m/s
Starting threshold	0.01 m/s
Units of measurement	m/s, km/h, mph, kts, ft/min
WIND DIRECTION	
Range	0-360°
Accuracy	0.5 m/s-40 m/s ±3° 40-60 m/s ±5°
Resolution	1°
Units of measurement	degrees
AIR TEMPERATURE	
Range	-40°C to +70°C with heating
Accuracy	±0.3°C
Resolution	0.1°C
Units of measurement	°C, °F, K
RELATIVE HUMIDITY	
Range	0-100% RH
Accuracy	typically ±2% RH across full range
Resolution	0.1% RH
Units of measurement	% RH, g/m ³
BAROMETRIC PRESSURE	
Range	300-1250 hPa
Accuracy	Absolute (typically) ±0.4 hPa 900-1100 hPa, 25-40°C Relative (typically) ±0.08 hPa
Resolution	0.1 hPa
Units of measurement	hPa, mbar, mmHg, inHg
PRECIPITATION	
Measurement type	Optical
Range	0-300 mm/hr
Resolution	0.08 mm
Units of measurement	mm/hr, mm total, in/hr, in total
WARRANTY	
Warranty	24 months

OUTPUTS	
Digital comms modes	RS232, RS422 RS485, SDI-12
Protocols	ASCII, SDI-12 v1.3, NMEA 0183 MODBUS (RTU and ASCII)
Data outputs rates	1/s, 1/min, 1/hour, or polled
POWER SUPPLY	
Input voltage	5-30 VDC (10-30 VDC for heated models)
Average current consumption @ 12 VDC	67 mA continuous mode (std unit) 400 mA total with heating option +9 mA with GPS option 1.3 mA eco-power mode (no GPS, 1/hr)
MECHANICAL	
Construction	UV stabilized thermoplastic
Fittings	Fit to 44.45 mm (1.75 in) pole or mast
Weight	0.8 kg
Connector type	9-way clipper connector
ENVIRONMENTAL	
Protection class	IP66
Operating temp.	-35°C to +70°C -40°C to +70°C with heating option
Storage temp	-40°C to +70°C
STANDARD EQUIPMENT (supplied with product)	
MaxiMet product	
Mating connector	
MetSet software*, to set-up and configure MaxiMet (comms mode, measurement units, reporting intervals, derived parameters, etc.)	
MetView software*, to view reported parameters	
MaxiMet User Manual*	
* downloadable from Gill Instruments website	
OPTIONS	
GPS	Available as an option. Enables reporting of location, height, real-time clock, true wind (for vehicle mounting applications)
Heating	Available as an option for operation in extremely low temperatures

GMX600 Compact Weather Station

High quality, easy-to-use, integrated weather station



EXAMPLE DERIVED PARAMETERS FOR MAXIMET RANGE (model dependent)

A full list of derived parameters is available in the User Manual, downloadable from gillinstruments.com

Average wind speed *	Sunrise
Average wind direction *	Solar noon
Corrected wind speed	Twilight
Corrected wind direction	Sunset
Gust wind speed & direction *	Position of sun
Dew point	Angle of tilt
Wind chill	Pressure at sea level
Absolute humidity	Heat index

* WMO compliant

ACCESSORIES

A list of the accessories available to support MaxiMet is provided on the MaxiMet Accessories Datasheet, which can be downloaded from gillinstruments.com

MaxiMet® Compact Weather Stations

Reliable, high quality compact, integrated weather stations

MaxiMet weather stations are supported by a range of accessories. These accessories can be used to connect, install and maintain MaxiMet. The accessories have been designed or selected to ensure the long term performance of MaxiMet products.

Accessories	Part Number
MaxiMet weather station	GMX600
MaxiMet weather station	GMX500
MaxiMet weather station	GMX550
MaxiMet weather station	GMX501
MaxiMet weather station	GMX551
MaxiMet weather station	GMX560
MaxiMet weather station	GMX200
MaxiMet weather station	GMX240
MaxiMet weather station	GMX260
MaxiMet weather station	GMX300
MaxiMet weather station	GMX301
MaxiMet weather station	GMX400
MaxiMet weather station	GMX500
MaxiMet weather station	GMX501
MaxiMet weather station	GMX550
MaxiMet weather station	GMX551
MaxiMet weather station	GMX560

Accessory Descriptions

- Connector (1405PK-009)**
A weatherproof connector is available if required. The connector is compatible with all MaxiMet models and is supplied with gels.
- Cables for operational use**
The 4-pin cable can be used to connect MaxiMet to power and ground wires. The cable can be applied to 1.5m cable with any 4-pin cable with a 4-pin connector.
- Cable for setup configuration (1003-10060)**
The cable can be used to connect a MaxiMet to a 4-pin port on a computer. Using MaxiMet the signal of the MaxiMet can be used to set a particular requirement. The cable is 1.5m long and supplied with a MaxiMet connector on one end and a 4-pin connector on the other end.

gillinstruments.com

© 2024 Gill Instruments Limited



GILL

OTHER MAXIMET MODELS

	Wind	Temperature, humidity, pressure	Rain	Solar	Compass, GPS	Low power heating
GMX200	Y				Y, as option	
GMX240	Y		Integrated optical rain sensor		Y, as option	
GMX260	Y				Y 6-axis, option	
GMX300		Y				
GMX301		Y		Y		
GMX400		Y	Integrated optical rain sensor			
GMX500	Y	Y			Y, as option	Option
GMX501	Y	Y		Y	Y, as option	Option
GMX550	Y	Y	Tipping bucket connector		Y, as option	Option
GMX551	Y	Y	Tipping bucket connector	Y	Y, as option	Option
GMX560	Y	Y			Y 6-axis, option	Option

For more information about MaxiMet®, please contact Gill Instruments.

Designed and manufactured in the UK by Gill Instruments Limited.