

## GMX300 Compact Weather Station

High quality, easy-to-use, integrated weather station

MaxiMet compact weather stations are designed to be simple to install, use and maintain. In addition to providing measured parameters, the products derive additional parameters and data is output as a single string and available on a range of communications protocols.

MaxiMet weather stations benefit from the same technology used in Gill's scientific product range, ensuring measurement accuracy, low maintenance and continuous status reporting.

The MaxiMet family includes a range of sensor configurations allowing customers to select the model most appropriate to their needs.

### Typical applications

- Control systems including smart buildings, agriculture and industry.
- Solar farms.
- Road and rail.
- Ports and harbours.
- Reporting systems for transport and safety.
- Low power/solar powered deployments and IoT applications.

### MaxiMet GMX300 key features

- Three measured parameters:  
**Temperature, humidity, pressure.**
- Multiple additional derived parameters based on combining measured parameters, such as dew point, pressure at sea level and heat index.
- High quality, accurate, solid state sensors.

### Benefits

- High quality measurement data due to careful sensor selection and extensive design testing and verification.
- Easy to set-up and integrate using comprehensive software to select the reported and derived parameters and measurement units required.
- Easy to install and long operational life, due to a compact, robust design and the selection of low maintenance sensors.
- Suitable for use with battery or solar systems in low power mode.



MaxiMet GMX300 measures 3 parameters.



MaxiMet compact weather stations are integrated into systems monitoring gas and particulate concentrations in the air.

## GMX300 Compact Weather Station

High quality, easy-to-use, integrated weather station

### AIR TEMPERATURE

Range	-35°C to +70°C
Accuracy	±0.3°C
Resolution	0.1°C
Units of measurement	°C, °F, K

### RELATIVE HUMIDITY

Range	0-100% RH
Accuracy	typically ±2% RH across full range
Resolution	0.1% RH
Units of measurement	% RH, g/m <sup>3</sup>

### BAROMETRIC PRESSURE

Range	300-1250 hPa
Accuracy	Absolute (typically) ±0.4 hPa 900-1100 hPa, 25-40°C Relative (typically) ±0.08 hPa
Resolution	0.1 hPa
Units of measurement	hPa, mbar, mmHg, inHg

### WARRANTY

Warranty	24 months
----------	-----------

### OUTPUTS

Digital comms modes	RS232, RS422 RS485, SDI-12,
Protocols	ASCII, SDI-12 v1.3, NMEA 0183 MODBUS (RTU and ASCII)
Data outputs rates	1/s, 1/min, 1/hour, or polled

### POWER SUPPLY

Input voltage	5-30 VDC
Average current consumption @ 12 VDC	5 mA continuous mode (std unit) 1.3 mA eco-power mode (1/hr)

### MECHANICAL

Construction	UV stabilized thermoplastic
Fittings	Fit to 44.45 mm (1.75 in) pole or mast
Weight	0.5 kg
Connector type	9-way clipper connector

### ENVIRONMENTAL

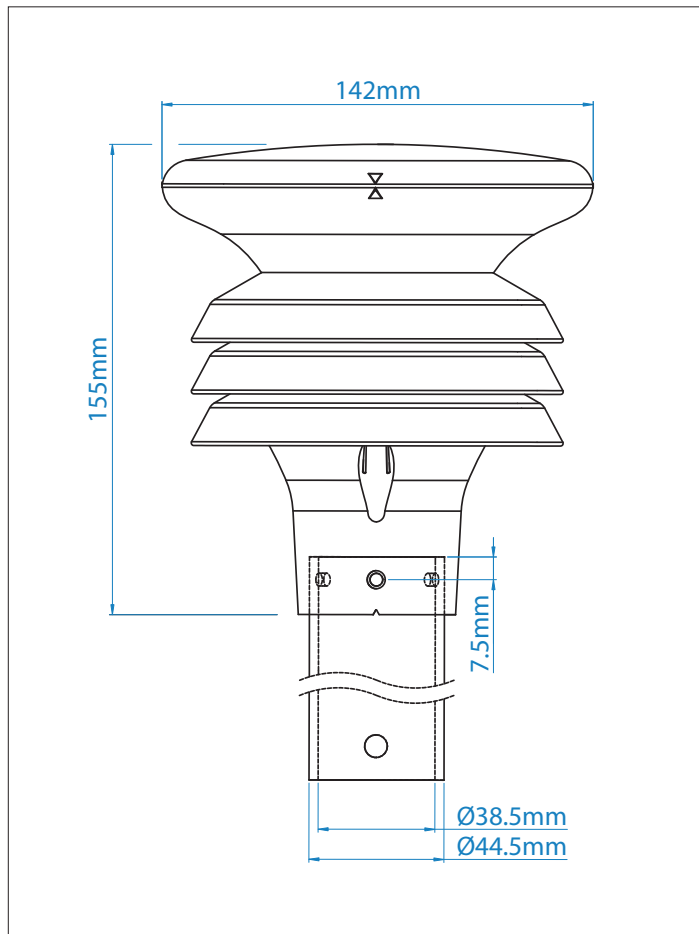
Protection class	IP66
Operating temp.	-35°C to +70°C
Storage temp	-40°C to +70°C

### STANDARD EQUIPMENT (supplied with product)

MaxiMet product
Mating connector
MetSet software*, to set-up and configure MaxiMet (comms mode, measurement units, reporting intervals, derived parameters, etc.)
MetView software*, to view reported parameters
MaxiMet User Manual*
* downloadable from Gill Instruments website

## GMX300 Compact Weather Station

High quality, easy-to-use, integrated weather station



### EXAMPLE DERIVED PARAMETERS FOR MAXIMET RANGE (model dependent)

A full list of derived parameters is available in the User Manual, downloadable from [gillinstruments.com](http://gillinstruments.com)

Average wind speed *	Sunrise
Average wind direction *	Solar noon
Corrected wind speed	Twilight
Corrected wind direction	Sunset
Gust wind speed & direction *	Position of sun
Dew point	Angle of tilt
Wind chill	Pressure at sea level
Absolute humidity	Heat index

\* WMO compliant

### ACCESSORIES

A list of the accessories available to support MaxiMet is provided on the MaxiMet Accessories Datasheet, which can be downloaded from [gillinstruments.com](http://gillinstruments.com)

**MaxiMet®**  
Compact Weather Stations  
Rugged, high quality compact, integrated weather stations

**Accessories Datasheet**

MaxiMet weather stations are supported by a range of accessories. These accessories can be used to connect, install and maintain MaxiMet. The accessories have been designed or selected to ensure the long term performance of MaxiMet products.

Accessories	Part Number
10-pin connector	1000000
10-pin connector cable	1000001
10-pin connector cable (with 10-pin connector)	1000002
10-pin connector cable (with 10-pin connector)	1000003
10-pin connector cable (with 10-pin connector)	1000004
10-pin connector cable (with 10-pin connector)	1000005
10-pin connector cable (with 10-pin connector)	1000006
10-pin connector cable (with 10-pin connector)	1000007
10-pin connector cable (with 10-pin connector)	1000008
10-pin connector cable (with 10-pin connector)	1000009
10-pin connector cable (with 10-pin connector)	1000010
10-pin connector cable (with 10-pin connector)	1000011
10-pin connector cable (with 10-pin connector)	1000012
10-pin connector cable (with 10-pin connector)	1000013
10-pin connector cable (with 10-pin connector)	1000014
10-pin connector cable (with 10-pin connector)	1000015
10-pin connector cable (with 10-pin connector)	1000016
10-pin connector cable (with 10-pin connector)	1000017
10-pin connector cable (with 10-pin connector)	1000018
10-pin connector cable (with 10-pin connector)	1000019
10-pin connector cable (with 10-pin connector)	1000020
10-pin connector cable (with 10-pin connector)	1000021
10-pin connector cable (with 10-pin connector)	1000022
10-pin connector cable (with 10-pin connector)	1000023
10-pin connector cable (with 10-pin connector)	1000024
10-pin connector cable (with 10-pin connector)	1000025
10-pin connector cable (with 10-pin connector)	1000026
10-pin connector cable (with 10-pin connector)	1000027
10-pin connector cable (with 10-pin connector)	1000028
10-pin connector cable (with 10-pin connector)	1000029
10-pin connector cable (with 10-pin connector)	1000030
10-pin connector cable (with 10-pin connector)	1000031
10-pin connector cable (with 10-pin connector)	1000032
10-pin connector cable (with 10-pin connector)	1000033
10-pin connector cable (with 10-pin connector)	1000034
10-pin connector cable (with 10-pin connector)	1000035
10-pin connector cable (with 10-pin connector)	1000036
10-pin connector cable (with 10-pin connector)	1000037
10-pin connector cable (with 10-pin connector)	1000038
10-pin connector cable (with 10-pin connector)	1000039
10-pin connector cable (with 10-pin connector)	1000040
10-pin connector cable (with 10-pin connector)	1000041
10-pin connector cable (with 10-pin connector)	1000042
10-pin connector cable (with 10-pin connector)	1000043
10-pin connector cable (with 10-pin connector)	1000044
10-pin connector cable (with 10-pin connector)	1000045
10-pin connector cable (with 10-pin connector)	1000046
10-pin connector cable (with 10-pin connector)	1000047
10-pin connector cable (with 10-pin connector)	1000048
10-pin connector cable (with 10-pin connector)	1000049
10-pin connector cable (with 10-pin connector)	1000050
10-pin connector cable (with 10-pin connector)	1000051
10-pin connector cable (with 10-pin connector)	1000052
10-pin connector cable (with 10-pin connector)	1000053
10-pin connector cable (with 10-pin connector)	1000054
10-pin connector cable (with 10-pin connector)	1000055
10-pin connector cable (with 10-pin connector)	1000056
10-pin connector cable (with 10-pin connector)	1000057
10-pin connector cable (with 10-pin connector)	1000058
10-pin connector cable (with 10-pin connector)	1000059
10-pin connector cable (with 10-pin connector)	1000060
10-pin connector cable (with 10-pin connector)	1000061
10-pin connector cable (with 10-pin connector)	1000062
10-pin connector cable (with 10-pin connector)	1000063
10-pin connector cable (with 10-pin connector)	1000064
10-pin connector cable (with 10-pin connector)	1000065
10-pin connector cable (with 10-pin connector)	1000066
10-pin connector cable (with 10-pin connector)	1000067
10-pin connector cable (with 10-pin connector)	1000068
10-pin connector cable (with 10-pin connector)	1000069
10-pin connector cable (with 10-pin connector)	1000070
10-pin connector cable (with 10-pin connector)	1000071
10-pin connector cable (with 10-pin connector)	1000072
10-pin connector cable (with 10-pin connector)	1000073
10-pin connector cable (with 10-pin connector)	1000074
10-pin connector cable (with 10-pin connector)	1000075
10-pin connector cable (with 10-pin connector)	1000076
10-pin connector cable (with 10-pin connector)	1000077
10-pin connector cable (with 10-pin connector)	1000078
10-pin connector cable (with 10-pin connector)	1000079
10-pin connector cable (with 10-pin connector)	1000080
10-pin connector cable (with 10-pin connector)	1000081
10-pin connector cable (with 10-pin connector)	1000082
10-pin connector cable (with 10-pin connector)	1000083
10-pin connector cable (with 10-pin connector)	1000084
10-pin connector cable (with 10-pin connector)	1000085
10-pin connector cable (with 10-pin connector)	1000086
10-pin connector cable (with 10-pin connector)	1000087
10-pin connector cable (with 10-pin connector)	1000088
10-pin connector cable (with 10-pin connector)	1000089
10-pin connector cable (with 10-pin connector)	1000090
10-pin connector cable (with 10-pin connector)	1000091
10-pin connector cable (with 10-pin connector)	1000092
10-pin connector cable (with 10-pin connector)	1000093
10-pin connector cable (with 10-pin connector)	1000094
10-pin connector cable (with 10-pin connector)	1000095
10-pin connector cable (with 10-pin connector)	1000096
10-pin connector cable (with 10-pin connector)	1000097
10-pin connector cable (with 10-pin connector)	1000098
10-pin connector cable (with 10-pin connector)	1000099
10-pin connector cable (with 10-pin connector)	1000100

**Accessory Descriptions**

- Connector (1000000-1000050)**  
A replacement connector is available. Equipped. The connector is compatible with all MaxiMet models and is supplied with pins.
- Cable for operational use**  
The 4-pin cable can be used to connect MaxiMet to power and communications. The cable can be applied to a 4-pin cable with pins. Pinout: 1 (GND), 2 (VCC), 3 (RS-485), 4 (RS-485).
- Cable for setup configuration (1957-10065)**  
This cable is used to connect MaxiMet to a PC port on a computer. Using MaxiMet, the setup of the MaxiMet unit can be configured to meet specific requirements. The cable is 1.5m long and is supplied with a MaxiMet connector on one end and a USB connector on the other end.

[gillinstruments.com](http://gillinstruments.com)

### OTHER MAXIMET MODELS

	Wind	Temperature, humidity, pressure	Rain	Solar	Compass, GPS	Low power heating
<b>GMX200</b>	Y				Y, as option	
<b>GMX240</b>	Y		Integrated optical rain sensor		Y, as option	
<b>GMX260</b>	Y				Y 6-axis, option	
<b>GMX301</b>		Y		Y		
<b>GMX400</b>		Y	Integrated optical rain sensor			
<b>GMX500</b>	Y	Y			Y, as option	Option
<b>GMX501</b>	Y	Y		Y	Y, as option	Option
<b>GMX550</b>	Y	Y	Tipping bucket connector		Y, as option	Option
<b>GMX551</b>	Y	Y	Tipping bucket connector	Y	Y, as option	Option
<b>GMX560</b>	Y	Y	Integrated optical rain sensor		Y 6-axis, option	Option
<b>GMX600</b>	Y	Y	Integrated optical rain sensor		Y, as option	Option

For more information about MaxiMet®, please contact Gill Instruments.  
**Designed and manufactured in the UK by Gill Instruments Limited.**

[gillinstruments.com](http://gillinstruments.com)

1957-005 Issue 9  
 © 2024 Gill Instruments Limited

## GMX400 Compact Weather Station

High quality, easy-to-use, integrated weather station

MaxiMet compact weather stations are designed to be simple to install, use and maintain. In addition to providing measured parameters, the products derive additional parameters and data is output as a single string and available on a range of communications protocols.

MaxiMet weather stations benefit from the same technology used in Gill's scientific product range, ensuring measurement accuracy, low maintenance and continuous status reporting.

The MaxiMet family includes a range of sensor configurations allowing customers to select the model most appropriate to their needs.

### Typical applications

- Control systems including smart buildings, agriculture and industry.
- Solar farms.
- Road and rail.
- Ports and harbours.
- Reporting systems for transport and safety.
- Low power/solar powered deployments and IoT applications.

### MaxiMet GMX400 key features

- Four measured parameters:  
**Temperature, humidity, pressure, rainfall (optical sensor).**
- Multiple additional derived parameters based on combining measured parameters, such as dew point, pressure at sea level and heat index.
- High quality, accurate, solid state sensors.

### Benefits

- High quality measurement data due to careful sensor selection and extensive design testing and verification.
- Easy to set-up and integrate using comprehensive software to select the reported and derived parameters and measurement units required.
- Easy to install and long operational life, due to a compact, robust design and the selection of low maintenance sensors.
- Suitable for use with battery or solar systems in low power mode.



**MaxiMet GMX400 measures 4 parameters including precipitation.**



**MaxiMet compact weather stations are integrated into systems monitoring gas and particulate concentrations in the air.**

## GMX400 Compact Weather Station

High quality, easy-to-use, integrated weather station

AIR TEMPERATURE	
Range	-35°C to +70°C
Accuracy	±0.3°C
Resolution	0.1°C
Units of measurement	°C, °F, K

RELATIVE HUMIDITY	
Range	0-100% RH
Accuracy	typically ±2% RH across full range
Resolution	0.1% RH
Units of measurement	% RH, g/m <sup>3</sup>

BAROMETRIC PRESSURE	
Range	300-1250 hPa
Accuracy 900-1100 hPa, 25-40°C	Absolute (typically) ±0.4 hPa Relative (typically) ±0.08 hPa
Resolution	0.1 hPa
Units of measurement	hPa, mbar, mmHg, inHg

PRECIPITATION	
Measurement type	Optical
Range	0-300 mm/hr
Resolution	0.08 mm
Units of measurement	mm/hr, mm total, in/hr, in total

WARRANTY	
Warranty	24 months

OUTPUTS	
Digital comms modes	RS232, RS422 RS485, SDI-12,
Protocols	ASCII, SDI-12 v1.3, NMEA 0183 MODBUS (RTU and ASCII)
Data outputs rates	1/s, 1/min, 1/hour, or polled

POWER SUPPLY	
Input voltage	5-30 VDC
Average current consumption @ 12VDC	45 mA continuous mode (std unit) 1.3 mA eco-power mode (1/hr)

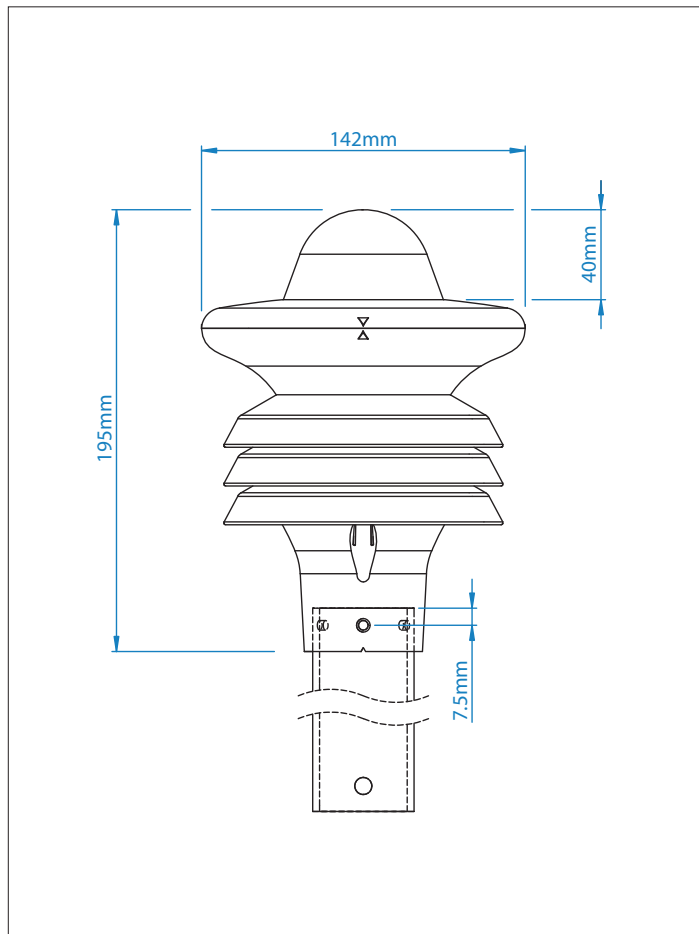
MECHANICAL	
Construction	UV stabilized thermoplastic
Fittings	Fit to 44.45 mm (1.75 in) pole or mast
Weight	0.5 kg
Connector type	9-way clipper connector

ENVIRONMENTAL	
Protection class	IP66
Operating temp.	-35°C to +70°C
Storage temp	-40°C to +70°C

STANDARD EQUIPMENT (supplied with product)	
MaxiMet product	
Mating connector	
MetSet software*, to set-up and configure MaxiMet (comms mode, measurement units, reporting intervals, derived parameters, etc.)	
MetView software*, to view reported parameters	
MaxiMet User Manual*	
* downloadable from Gill Instruments website	

## GMX400 Compact Weather Station

High quality, easy-to-use, integrated weather station



### EXAMPLE DERIVED PARAMETERS FOR MAXIMET RANGE (model dependent)

A full list of derived parameters is available in the User Manual, downloadable from [gillinstruments.com](http://gillinstruments.com)

Average wind speed *	Sunrise
Average wind direction *	Solar noon
Corrected wind speed	Twilight
Corrected wind direction	Sunset
Gust wind speed & direction *	Position of sun
Dew point	Angle of tilt
Wind chill	Pressure at sea level
Absolute humidity	Heat index

\* WMO compliant

### ACCESSORIES

A list of the accessories available to support MaxiMet is provided on the MaxiMet Accessories Datasheet, which can be downloaded from [gillinstruments.com](http://gillinstruments.com)

MaxiMet Compact Weather Stations  
101646, high quality compact, integrated weather stations

MaxiMet weather stations are supported by a range of accessories. These accessories can be used to connect, install and maintain MaxiMet. The accessories have been designed to support the long term performance of MaxiMet products.

Accessories	Part Number
101646 MaxiMet Compact Weather Station	101646
101647 MaxiMet Compact Weather Station	101647
101648 MaxiMet Compact Weather Station	101648
101649 MaxiMet Compact Weather Station	101649
101650 MaxiMet Compact Weather Station	101650
101651 MaxiMet Compact Weather Station	101651
101652 MaxiMet Compact Weather Station	101652
101653 MaxiMet Compact Weather Station	101653
101654 MaxiMet Compact Weather Station	101654
101655 MaxiMet Compact Weather Station	101655
101656 MaxiMet Compact Weather Station	101656
101657 MaxiMet Compact Weather Station	101657
101658 MaxiMet Compact Weather Station	101658
101659 MaxiMet Compact Weather Station	101659
101660 MaxiMet Compact Weather Station	101660
101661 MaxiMet Compact Weather Station	101661
101662 MaxiMet Compact Weather Station	101662
101663 MaxiMet Compact Weather Station	101663
101664 MaxiMet Compact Weather Station	101664
101665 MaxiMet Compact Weather Station	101665
101666 MaxiMet Compact Weather Station	101666
101667 MaxiMet Compact Weather Station	101667
101668 MaxiMet Compact Weather Station	101668
101669 MaxiMet Compact Weather Station	101669
101670 MaxiMet Compact Weather Station	101670
101671 MaxiMet Compact Weather Station	101671
101672 MaxiMet Compact Weather Station	101672
101673 MaxiMet Compact Weather Station	101673
101674 MaxiMet Compact Weather Station	101674
101675 MaxiMet Compact Weather Station	101675
101676 MaxiMet Compact Weather Station	101676
101677 MaxiMet Compact Weather Station	101677
101678 MaxiMet Compact Weather Station	101678
101679 MaxiMet Compact Weather Station	101679
101680 MaxiMet Compact Weather Station	101680
101681 MaxiMet Compact Weather Station	101681
101682 MaxiMet Compact Weather Station	101682
101683 MaxiMet Compact Weather Station	101683
101684 MaxiMet Compact Weather Station	101684
101685 MaxiMet Compact Weather Station	101685
101686 MaxiMet Compact Weather Station	101686
101687 MaxiMet Compact Weather Station	101687
101688 MaxiMet Compact Weather Station	101688
101689 MaxiMet Compact Weather Station	101689
101690 MaxiMet Compact Weather Station	101690
101691 MaxiMet Compact Weather Station	101691
101692 MaxiMet Compact Weather Station	101692
101693 MaxiMet Compact Weather Station	101693
101694 MaxiMet Compact Weather Station	101694
101695 MaxiMet Compact Weather Station	101695
101696 MaxiMet Compact Weather Station	101696
101697 MaxiMet Compact Weather Station	101697
101698 MaxiMet Compact Weather Station	101698
101699 MaxiMet Compact Weather Station	101699
101700 MaxiMet Compact Weather Station	101700

**Accessories Descriptions**

- Connector (101696-1000)**  
A replacement connector is available. Equipped. The connector is compatible with all MaxiMet models and is supplied with gels.
- Cable for operational use**  
The 4-pin cable can be used to connect MaxiMet to power and communications. The cable can be supplied as a 1m cable with gels, Part # 101694 (1000), or by the metre (101693 (100)).
- Cable for setup/configuration (101695-1000)**  
This cable is used to connect MaxiMet to a PC or laptop on a computer. Using MaxiMet, the setup of the MaxiMet unit can be undertaken to meet specific requirements. The cable is 1m long and is supplied with a MaxiMet connector on one end and a USB connector on the other end.

[gillinstruments.com](http://gillinstruments.com)

### OTHER MAXIMET MODELS

	Wind	Temperature, humidity, pressure	Rain	Solar	Compass, GPS	Low power heating
<b>GMX200</b>	Y				Y, as option	
<b>GMX240</b>	Y		Integrated optical rain sensor		Y, as option	
<b>GMX260</b>	Y				Y 6-axis, option	
<b>GMX300</b>		Y				
<b>GMX301</b>		Y		Y		
<b>GMX500</b>	Y	Y			Y, as option	Option
<b>GMX501</b>	Y	Y		Y	Y, as option	Option
<b>GMX550</b>	Y	Y	Tipping bucket connector		Y, as option	Option
<b>GMX551</b>	Y	Y	Tipping bucket connector	Y	Y, as option	Option
<b>GMX560</b>	Y	Y			Y 6-axis, option	Option
<b>GMX600</b>	Y	Y	Integrated optical rain sensor		Y, as option	Option

For more information about MaxiMet®, please contact Gill Instruments.  
**Designed and manufactured in the UK by Gill Instruments Limited.**