

Heating / cooling units ZGH



- compact design
- power 100 ÷ 10000 W
- replaceable heating inserts
- brass / steel heat sinks
- built-in fan improving thermodynamic properties of heater
- used in plasticizing plastics

Heating / cooling units ZGH type are heaters used to plasticize plastics. The construction of the extruder is based on ceramic heating inserts equipped with brass / steel heat sinks, the whole is closed in a steel housing. A fan is mounted to the unit, which regulates the temperature through the appropriate hot air outlet system. All parameters: voltage, power, set dimensions are agreed individually with the customer.

Application:

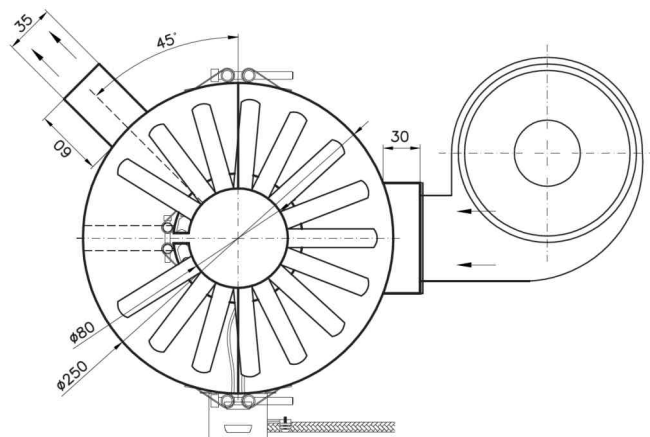
- extruder cylinders

TECHNICAL DATA

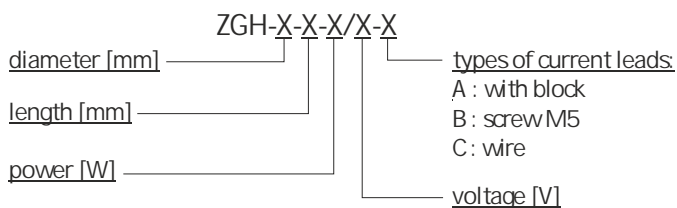
Power	100 ÷ 10000 W
Supply voltage	230 V, 380 V, 3x380 V, 400 V
Range of length	100 ÷ 4000 mm
Heater diameter	Ø16 mm, Ø32 mm, Ø36 mm, Ø45 mm, Ø50 mm, other
Surface loading	7 W/cm ²



DIMENSIONS



ORDERING



Ordering sample:

ZGH-50-300-3000W/400V-A

Heating / cooling units ZGH type, diameter 50 mm, length 300 mm, power 3 kW, supply voltage 400V, current leads with block.

